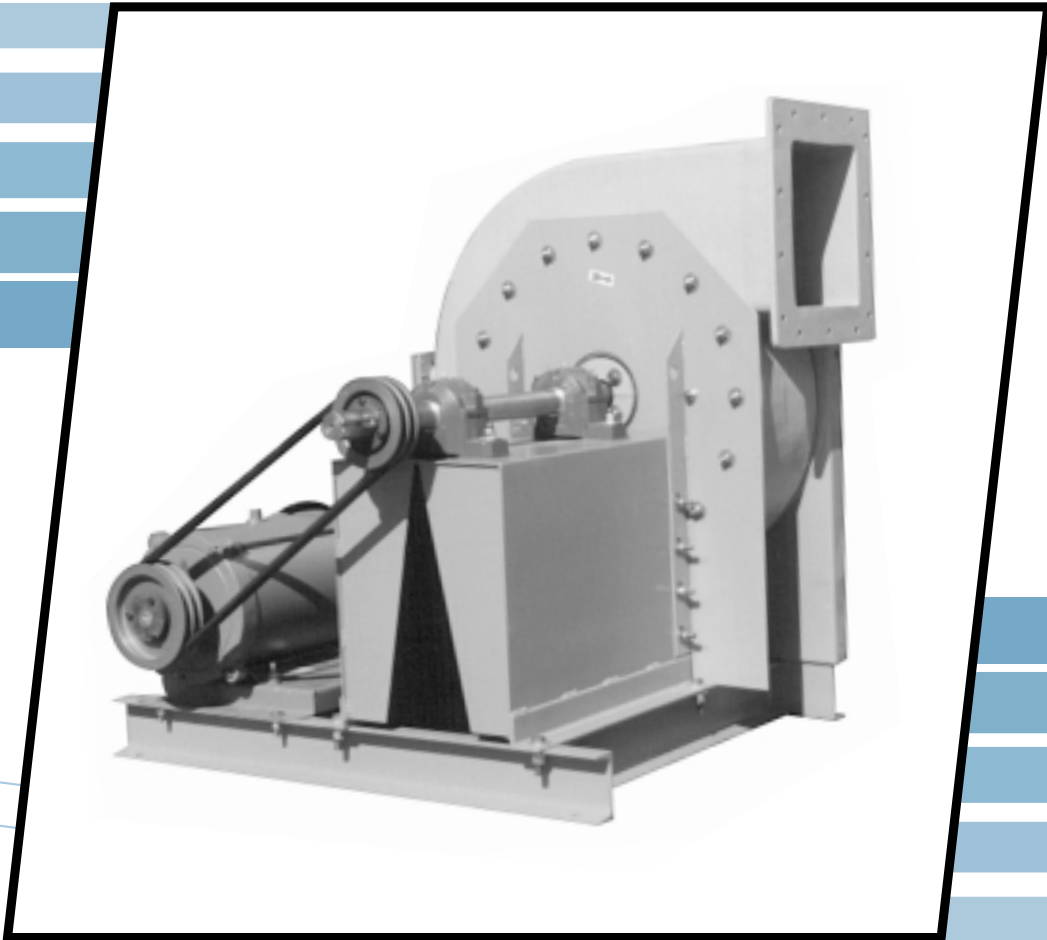




# COMPOSITE FAN TECHNOLOGY

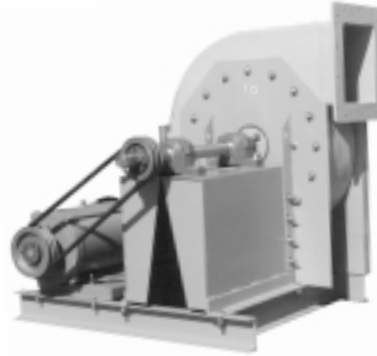
## **RBC** *FRP Industrial Fans*



**Corrosion Resistant • Rugged Construction**

# RBC FRP Industrial Fans

The FRP industrial exhauster manufactured by **Composite Fan Technology** (CFT) answers the need for a fan designed to achieve maximum corrosion resistance while offering rugged construction, ease of maintenance and efficient operation. The FRP fan is well recognized for its proven successes in handling a wide range of corrosive applications, notably in the chemical processing, pulp & paper and fertilizer industries as well as waste water treatment plants; or wherever a need for corrosion resistance is a requirement. FRP fans have an excellent history of extended life expectancy and in many cases replace costly exotic metal fans and blowers.



**Fiber Reinforced Plastic** (FRP), the material of choice for CFT fans is a laminate of corrosion resistant resin combined with fibrous glass or synthetic reinforcement. The corrosion resistance of the resin system in conjunction with the proper selection and placement of structural reinforcement provides a composite with a high strength to weight ratio. Incorporating this technology in fan components provides the structural integrity to withstand forces resulting from rotation. These composite fans are designed to operate in corrosive environments handling both wet and dry fumes from a wide range of acids, alkalis and organic solvents. By selective resin formulation flame resistance is also achieved.

The **Type RBC wheel** is a solid FRP construction, having radial blades and designed for capacities to 20,000 CFM and pressures up to 20" W.G. Ten sizes are standard and wheel diameters range from 13" to 45-1/8".

ARR 1, 9 and 10 are available in all sizes through 45 RBC. For large motor frames a structural channel base with motor slide base can be supplied.

Housings are rotatable to 6 discharge positions and are reversible in rotation. Wheel can operate either CW or CCW.

Larger fan sizes are available to meet specified requirements.



**Arrangement Number 1**

## CFT – Construction

All CFT fans are fabricated with FRP for a variety of uses in corrosive environments. Either a radial bladed wheel (Type RBC) or a backwardly inclined bladed wheel (Type BIC) is used to move the air. In both cases blades are attached to a tapered flange and solid backplate. An encapsulated steel hub is attached to the wheel. The shaft portion in the air stream is protected with a FRP shaft sleeve that extends through the housing wall.

The wheel is statically and dynamically balanced to insure smooth operation. Safe operating speeds are established to agree with ASTM Standard D4167-91, although environmental conditions sometime may alter performance.

Unless the wheel is designed to resist erosion or static electricity the wheel is fabricated with clear (non pigmented) laminate.

All exterior steel including the bearing support base are gritblasted, primed and coated with a corrosion resistant paint system, custom paint systems are available as an option. All imbedded hardware is type 316 stainless steel.

Drilled inlet and outlet flanges are standard.

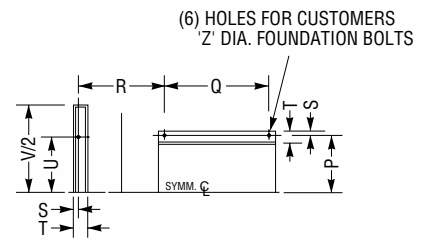
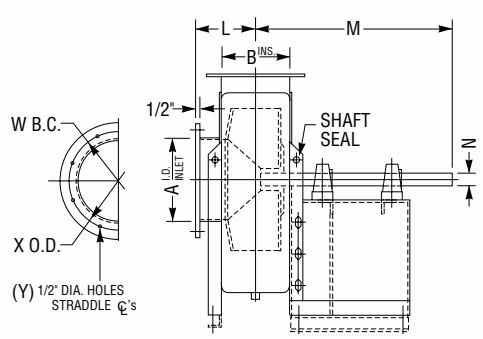
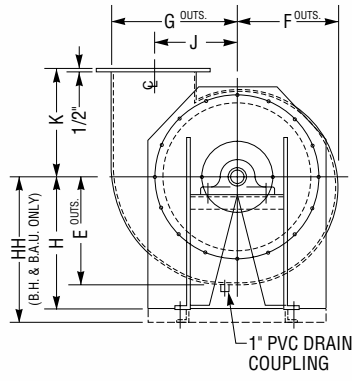
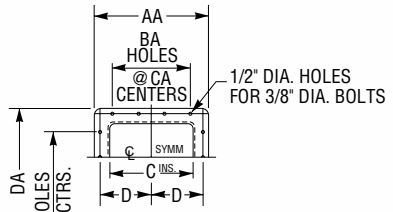
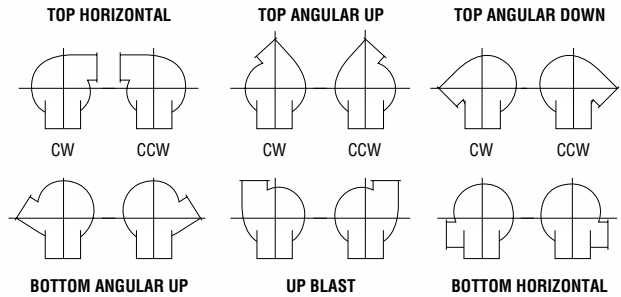
Housings are manufactured from solid FRP with smooth molded interior surfaces for optimum aerodynamic performance.

**RBC Dimensional Data**

	A	B	C	D	E	F	G	H	HH*	J	K	L	M
12RBC	7 1/2	5 15/16	7 3/8	5 5/16	10 1/8	8 15/16	11 5/16	15	15	7 7/16	11 5/16	6 7/8	21 3/8
15RBC	9	7 1/8	8 3/4	6	12 1/4	10 15/16	13 5/8	16 1/2	16 1/2	9	12 11/16	7 7/16	23 1/8
19RBC	11	8 11/16	10 3/4	7	14 15/16	13 5/16	16 5/8	18	20	11	14 3/4	8 1/2	24 1/2
22RBC	13	10 1/4	12 3/4	8	17 5/8	15 11/16	19 5/8	21	23	13	16 7/8	9 1/4	28 3/16
26RBC	15	11 7/8	14 3/4	9	20 3/8	18 3/16	22 5/8	23 5/8	26 5/8	15	19 1/16	10	30
29RBC	17	13 3/8	16 3/4	10	23 1/8	20 11/16	25 5/8	26 7/8	29 7/8	17	21 5/16	10 5/8	33 1/2
33RBC	19	15	18 3/4	11	25 3/4	22 15/16	28 5/8	29 3/4	32 3/4	19	23 5/16	11 11/16	37 1/16
36RBC	21	16 5/8	20 3/4	12	28 5/8	25 9/16	31 13/16	32 11/16	35 11/16	21	25 1/2	13 1/2	39 1/4
40RBC	23	18 1/4	22 5/8	12 15/16	31 3/16	27 13/16	34 5/8	35 5/8	38 5/8	23	27 5/8	14 3/16	41 13/16
45RBC	26	20 3/8	25 5/8	14 7/16	35 3/16	31 1/4	39 1/4	38 1/2	42 1/2	26 1/8	30 3/4	15 7/16	42 7/8

	N des.1	N des.2	P	Q	R	S	T	U	V	W	X	Y	Z
12RBC	1 3/16	1 7/16	7 1/4	12 1/4	9 1/8	3/4	2	7 1/4	17	10 1/2	12 1/2	8	1/2
15RBC	1 7/16	1 11/16	8 1/4	13 1/8	10 1/4	3/4	2	8 7/8	20 1/4	12	14	8	1/2
19RBC	1 7/16	1 11/16	7 3/4	13 1/4	11 13/16	3/4	2	10 1/2	23 1/2	14	16	8	1/2
22RBC	1 11/16	1 15/16	8 1/4	15 1/4	13 3/8	3/4	2	12 3/4	28	16	18	8	1/2
26RBC	1 11/16	1 15/16	8 1/4	15 1/2	15	3/4	2	14	30 1/2	18	20	12	1/2
29RBC	1 15/16	2 3/16	9 1/4	17 1/2	16 1/2	3/4	2	15 7/8	34 1/4	20	22	16	1/2
33RBC	2 3/16	2 7/16	9 1/4	19 1/2	18 1/8	3/4	2	17 3/4	38	22	24	16	1/2
36RBC	2 3/16	2 7/16	9 3/4	20 3/4	20	3/4	2	19 3/8	41 1/4	24	26	16	1/2
40RBC	2 11/16	2 15/16	10 1/2	21	21 7/8	1	2 1/2	20 7/8	44 3/4	26	28	24	5/8
45RBC	2 15/16	3 3/16	11 1/2	21	24	1	2 1/2	23 3/8	49 3/4	29	31	24	5/8

	AA	BA	CA	DA	EA	FA
12RBC	12 3/8	3	4	10 15/16	3	3
15RBC	13 3/4	3	4	12 1/8	3	4
19RBC	15 3/4	4	4	13 11/16	3	4
22RBC	17 3/4	4	4	15 1/4	3	4
26RBC	19 3/4	4	4	16 7/8	4	4
29RBC	21 3/4	4	5	18 3/8	4	4
33RBC	23 3/4	4	5	20	4	4
36RBC	25 3/4	5	5	21 5/8	4	5
40RBC	27 5/8	5	5	23 1/4	4	5
45RBC	30 5/8	5	5	25 3/8	5	5


**Foundation Plan**

Model No. 12 RBC

Wheel Diameter 13 In.

Outlet Area .306 Sq. Ft.

OV	CFM	1		2		3		4		5		6		7		8		9		10	
		RPM	BHP	RPM	BHP	RPM	BHP	RPM	BHP	RPM	BHP	RPM	BHP	RPM	BHP	RPM	BHP	RPM	BHP	RPM	BHP
1000	306	1077	0.09																		
1100	337	1092	0.10																		
1200	367	1109	0.11	1500	0.22																
1300	398	1128	0.12	1509	0.23																
1400	428	1147	0.13	1521	0.25	1824	0.39														
1500	459	1168	0.14	1535	0.27	1840	0.41														
1600	490	1187	0.15	1551	0.28	1849	0.43														
1700	520	1208	0.17	1568	0.30	1861	0.45	2121	0.62												
1800	551	1230	0.18	1587	0.33	1875	0.48	2130	0.65	2354	0.83										
1900	581	1254	0.20	1606	0.35	1890	0.50	2141	0.68	2372	0.87										
2000	612	1280	0.21	1627	0.37	1907	0.53	2154	0.71	2381	0.90	2584	1.11								
2100	643	1308	0.23	1648	0.40	1925	0.56	2168	0.74	2391	0.94	2600	1.15								
2200	673	1335	0.25	1666	0.42	1943	0.60	2183	0.78	2403	0.98	2609	1.19	2799	1.42						
2300	704	1363	0.28	1686	0.44	1962	0.63	2200	0.82	2417	1.02	2620	1.24	2811	1.47	2982	1.70				
2400	734	1391	0.30	1707	0.47	1982	0.66	2217	0.86	2432	1.06	2631	1.28	2820	1.51	3000	1.76				
2500	765	1420	0.32	1729	0.50	2003	0.70	2236	0.90	2448	1.11	2645	1.33	2831	1.57	3008	1.82	3175	2.07		
2600	796	1449	0.35	1753	0.53	2023	0.74	2255	0.94	2465	1.16	2660	1.38	2844	1.62	3019	1.87	3186	2.14	3340	2.40
2700	826	1476	0.37	1777	0.56	2042	0.77	2275	0.99	2482	1.21	2675	1.44	2857	1.68	3030	1.93	3196	2.20	3355	2.48
2800	857	1504	0.40	1803	0.60	2062	0.81	2295	1.04	2501	1.26	2692	1.49	2871	1.74	3042	1.99	3206	2.26	3364	2.54
2900	887	1532	0.43	1829	0.63	2082	0.85	2315	1.08	2520	1.31	2709	1.55	2887	1.80	3056	2.06	3218	2.33	3374	2.61
3000	918	1562	0.46	1857	0.67	2104	0.89	2336	1.13	2540	1.37	2727	1.61	2903	1.87	3071	2.13	3231	2.40	3385	2.68
3100	949	1592	0.50	1885	0.71	2127	0.93	2354	1.18	2560	1.43	2746	1.68	2921	1.93	3086	2.20	3245	2.47	3398	2.76
3200	979	1621	0.53	1913	0.75	2150	0.98	2374	1.23	2580	1.49	2765	1.74	2938	2.00	3102	2.27	3260	2.55	3411	2.84
3300	1010	1652	0.57	1941	0.80	2175	1.03	2394	1.28	2601	1.55	2785	1.81	2957	2.08	3120	2.35	3275	2.63	3425	2.93
3400	1040	1683	0.61	1969	0.84	2200	1.08	2415	1.33	2619	1.61	2804	1.88	2975	2.15	3137	2.43	3291	2.72	3440	3.01
3500	1071	1715	0.65	1998	0.89	2227	1.13	2438	1.39	2639	1.67	2825	1.95	2995	2.23	3155	2.51	3309	2.81	3456	3.10
3600	1102	1747	0.69	2028	0.94	2254	1.19	2461	1.45	2659	1.73	2846	2.03	3015	2.31	3175	2.60	3327	2.90	3473	3.20
3700	1132	1779	0.73	2055	1.00	2281	1.25	2484	1.51	2679	1.80	2865	2.10	3035	2.39	3193	2.69	3344	2.99	3489	3.30
3800	1163	1812	0.78	2083	1.05	2309	1.31	2509	1.58	2701	1.86	2884	2.17	3056	2.48	3213	2.78	3364	3.09	3507	3.40
3900	1193	1845	0.83	2110	1.10	2337	1.37	2534	1.64	2722	1.93	2903	2.24	3076	2.56	3233	2.87	3382	3.18	3525	3.50
4000	1224	1879	0.88	2139	1.16	2366	1.44	2561	1.71	2745	2.01	2924	2.32	3095	2.65	3254	2.97	3402	3.28	3544	3.61
4100	1255	1913	0.93	2168	1.22	2394	1.51	2588	1.79	2769	2.08	2945	2.40	3114	2.73	3275	3.07	3422	3.39	3564	3.72
4200	1285	1946	0.99	2196	1.28	2422	1.58	2614	1.86	2793	2.16	2966	2.48	3133	2.82	3295	3.16	3442	3.49	3583	3.83
4300	1316	1981	1.05	2226	1.35	2452	1.65	2642	1.95	2818	2.24	2989	2.57	3154	2.91	3314	3.26	3463	3.60	3603	3.94
4400	1346	2014	1.11	2255	1.41	2480	1.73	2670	2.03	2843	2.33	3011	2.65	3174	3.00	3332	3.35	3484	3.71	3623	4.06

OV	CFM	11		12		13		14		15		16		17		18		19		20	
		RPM	BHP	RPM	BHP	RPM	BHP	RPM	BHP	RPM	BHP	RPM	BHP	RPM	BHP	RPM	BHP	RPM	BHP	RPM	BHP
2700	826	3497	2.74																		
2800	857	3517	2.83	3648	3.11																
2900	887	3525	2.90	3669	3.21	3794	3.49														
3000	918	3534	2.98	3679	3.29	3815	3.60														
3100	949	3545	3.06	3688	3.37	3828	3.69	3957	4.01												
3200	979	3557	3.14	3699	3.45	3836	3.77	3970	4.10	4093	4.43										
3300	1010	3570	3.23	3710	3.54	3846	3.86	3979	4.20	4109	4.54	4227	4.87								
3400	1040	3583	3.32	3722	3.63	3857	3.95	3989	4.29	4117	4.64	4243	4.99	4356	5.33						
3500	1071	3598	3.41	3736	3.73	3870	4.06	4000	4.39	4127	4.74	4251	5.10	4373	5.47	4483	5.81	4586	6.15		
3600	1102	3614	3.51	3750	3.83	3883	4.16	4012	4.50	4138	4.85	4261	5.21	4381	5.57	4500	5.95	4607	6.31	4707	6.66
3700	1132	3629	3.61	3765	3.93	3896	4.26	4024	4.61	4149	4.96	4271	5.32	4391	5.69	4508	6.07	4623	6.46	4728	6.83
3800	1163	3646	3.72	3780	4.04	3911	4.38	4038	4.72	4162	5.07	4283	5.44	4401	5.81	4518	6.19	4632	6.58	4744	6.98
3900	1193	3663	3.82	3796	4.15	3926	4.49	4052	4.84	4175	5.19	4295	5.56	4412	5.93	4528	6.31	4641	6.70	4752	7.10
4000	1224	3681	3.94	3813	4.27	3942	4.61	4067	4.96	4189	5.32	4308	5.69	4425	6.06	4539	6.44	4651	6.84	4761	7.24
4100	1255	3700	4.05	3831	4.39	3959	4.74	4083	5.09	4204	5.45	4322	5.82	4438	6.20	4551	6.58	4662	6.98	4772	7.38
4200	1285	3718	4.17	3849	4.51	3975	4.86	4099	5.22	4219	5.58	4336	5.95	4451	6.33	4564	6.72	4674	7.12	4782	7.52
4300	1316	3737	4.29	3867	4.64	3993	4.99	4116	5.35	4235	5.72	4351	6.10	4466	6.48	4577	6.87	4687	7.27	4795	7.68
4400	1346	3757	4.41	3886	4.76	4011	5.12	4133	5.49	4251	5.86	4367	6.24	4480	6.63	4591	7.02	4700	7.42	4807	7.83

Performance shown is for installation type B&D - Free or ducted inlet, Ducted outlet.  
 Power rating (BHP) does not include drive losses.  
 Performance ratings do not include the effects of appurtenances in the airstream.

Model No. 15 RBC

Wheel Diameter 15.625 In.

Outlet Area .439 Sq. Ft.

OV	CFM	1		2		3		4		5		6		7		8		9		10	
		RPM	BHP	RPM	BHP	RPM	BHP	RPM	BHP	RPM	BHP	RPM	BHP	RPM	BHP	RPM	BHP	RPM	BHP	RPM	BHP
1000	439	895	0.13																		
1100	483	907	0.14																		
1200	527	921	0.15	1247	0.32																
1300	571	937	0.17	1255	0.34																
1400	615	953	0.19	1265	0.36	1516	0.56														
1500	659	970	0.20	1276	0.38	1530	0.59														
1600	702	985	0.22	1289	0.41	1538	0.62														
1700	746	1003	0.24	1303	0.44	1547	0.65	1764	0.90												
1800	790	1021	0.26	1318	0.47	1558	0.69	1771	0.93												
1900	834	1041	0.28	1335	0.50	1571	0.72	1780	0.98	1972	1.25										
2000	878	1062	0.31	1351	0.53	1584	0.77	1791	1.02	1980	1.30	2147	1.59								
2100	922	1084	0.33	1368	0.57	1599	0.81	1802	1.07	1988	1.35	2162	1.66								
2200	966	1107	0.36	1384	0.60	1614	0.85	1815	1.12	1998	1.41	2169	1.72	2326	2.04						
2300	1010	1131	0.39	1400	0.64	1630	0.90	1828	1.17	2009	1.46	2178	1.78	2337	2.11	2478	2.44				
2400	1054	1154	0.43	1418	0.67	1647	0.95	1843	1.23	2021	1.53	2188	1.84	2345	2.18	2495	2.54				
2500	1098	1178	0.46	1436	0.71	1664	1.00	1858	1.29	2034	1.59	2199	1.91	2354	2.25	2502	2.61	2639	2.98		
2600	1141	1201	0.50	1455	0.76	1680	1.05	1873	1.35	2048	1.66	2210	1.98	2364	2.32	2510	2.69	2650	3.07	2775	3.44
2700	1185	1224	0.53	1475	0.80	1696	1.10	1889	1.42	2062	1.73	2223	2.06	2375	2.41	2519	2.77	2657	3.15	2790	3.56
2800	1229	1247	0.57	1496	0.85	1712	1.16	1906	1.48	2078	1.81	2237	2.14	2387	2.49	2529	2.86	2666	3.25	2797	3.65
2900	1273	1270	0.61	1518	0.90	1729	1.21	1923	1.55	2093	1.88	2251	2.22	2399	2.58	2540	2.95	2675	3.34	2805	3.75
3000	1317	1294	0.66	1540	0.96	1747	1.27	1940	1.62	2109	1.96	2266	2.31	2413	2.67	2552	3.05	2686	3.44	2815	3.85
3100	1361	1319	0.71	1563	1.02	1766	1.34	1955	1.69	2126	2.05	2281	2.40	2427	2.77	2565	3.15	2697	3.55	2825	3.96
3200	1405	1344	0.76	1586	1.08	1785	1.40	1971	1.76	2143	2.13	2297	2.50	2441	2.87	2578	3.26	2709	3.66	2835	4.08
3300	1449	1369	0.81	1610	1.14	1805	1.47	1988	1.83	2160	2.22	2313	2.59	2456	2.98	2592	3.37	2722	3.78	2847	4.20
3400	1493	1395	0.86	1633	1.21	1826	1.54	2006	1.91	2176	2.31	2330	2.69	2472	3.09	2607	3.49	2736	3.90	2859	4.32
3500	1537	1421	0.92	1657	1.28	1848	1.62	2024	1.99	2192	2.39	2347	2.80	2488	3.20	2622	3.60	2750	4.02	2872	4.45
3600	1580	1447	0.98	1681	1.35	1870	1.70	2042	2.07	2208	2.48	2363	2.90	2504	3.31	2637	3.72	2764	4.15	2885	4.58
3700	1624	1473	1.04	1704	1.42	1892	1.78	2062	2.16	2224	2.57	2380	3.01	2521	3.43	2653	3.85	2779	4.28	2900	4.72
3800	1668	1500	1.11	1727	1.49	1915	1.87	2082	2.25	2242	2.67	2395	3.11	2538	3.55	2669	3.98	2794	4.42	2914	4.87
3900	1712	1528	1.18	1749	1.57	1938	1.96	2102	2.35	2260	2.77	2411	3.21	2555	3.67	2686	4.11	2810	4.56	2929	5.02
4000	1756	1555	1.25	1773	1.65	1962	2.05	2124	2.45	2279	2.87	2428	3.32	2571	3.79	2702	4.25	2826	4.70	2944	5.17
4100	1800	1583	1.33	1796	1.74	1985	2.15	2146	2.55	2298	2.98	2445	3.43	2586	3.91	2720	4.39	2843	4.85	2960	5.32
4200	1844	1611	1.40	1820	1.83	2009	2.25	2169	2.66	2318	3.09	2463	3.55	2602	4.03	2737	4.53	2859	5.00	2976	5.48
4300	1888	1640	1.49	1845	1.92	2033	2.36	2192	2.78	2338	3.21	2481	3.67	2619	4.16	2752	4.67	2876	5.16	2993	5.65
4400	1932	1668	1.57	1869	2.01	2057	2.46	2215	2.89	2359	3.33	2500	3.80	2636	4.29	2768	4.80	2893	5.32	3009	5.82

OV	CFM	11		12		13		14		15		16		17		18		19		20	
		RPM	BHP	RPM	BHP	RPM	BHP	RPM	BHP	RPM	BHP	RPM	BHP	RPM	BHP	RPM	BHP	RPM	BHP	RPM	BHP
2700	1185	2906	3.94																		
2800	1229	2924	4.07	3032	4.46																
2900	1273	2931	4.17	3049	4.60																
3000	1317	2939	4.28	3060	4.72	3171	5.16														
3100	1361	2948	4.39	3067	4.84	3183	5.30	3288	5.75												
3200	1405	2957	4.51	3075	4.96	3190	5.42	3302	5.90	3402	6.36										
3300	1449	2968	4.63	3084	5.08	3198	5.55	3309	6.03	3417	6.53	3513	7.00								
3400	1493	2979	4.76	3095	5.22	3207	5.68	3317	6.17	3424	6.67	3529	7.18	3621	7.66						
3500	1537	2991	4.90	3106	5.35	3217	5.82	3326	6.31	3432	6.81	3535	7.33	3637	7.86	3726	8.35				
3600	1580	3003	5.03	3117	5.49	3227	5.97	3335	6.46	3440	6.96	3543	7.48	3644	8.01	3742	8.56	3828	9.06		
3700	1624	3016	5.18	3129	5.64	3238	6.12	3345	6.61	3449	7.12	3551	7.64	3651	8.17	3749	8.72	3845	9.28	3929	9.80
3800	1668	3030	5.33	3142	5.80	3250	6.28	3356	6.78	3460	7.28	3561	7.81	3659	8.34	3756	8.89	3852	9.46	3945	10.03
3900	1712	3044	5.48	3155	5.96	3263	6.44	3368	6.94	3470	7.46	3571	7.98	3669	8.52	3765	9.07	3859	9.64	3952	10.21
4000	1756	3059	5.64	3169	6.12	3276	6.61	3380	7.12	3482	7.63	3581	8.16	3678	8.70	3774	9.26	3867	9.82	3959	10.40
4100	1800	3074	5.80	3183	6.29	3290	6.79	3393	7.30	3494	7.82	3592	8.35	3689	8.89	3784	9.45	3876	10.02	3967	10.60
4200	1844	3089	5.97	3198	6.47	3304	6.97	3406	7.48	3506	8.01	3604	8.55	3700	9.09	3794	9.65	3886	10.22	3976	10.81
4300	1888	3105	6.14	3213	6.64	3318	7.16	3420	7.68	3519	8.21	3617	8.75	3712	9.30	3805	9.86	3896	10.44	3986	11.02
4400	1932	3121	6.32	3229	6.83	3333	7.35	3434	7.87	3533	8.41	3629	8.95	3724	9.51	3816	10.08	3907	10.66	3996	11.24

Performance shown is for installation type B&D - Free or ducted inlet, Ducted outlet.  
 Power rating (BHP) does not include drive losses.  
 Performance ratings do not include the effects of appurtenances in the airstream.

Model No. 19 RBC

Wheel Diameter 19.125 In.

Outlet Area .648 Sq. Ft.

OV	CFM	1		2		3		4		5		6		7		8		9		10	
		RPM	BHP	RPM	BHP	RPM	BHP	RPM	BHP	RPM	BHP	RPM	BHP	RPM	BHP	RPM	BHP	RPM	BHP	RPM	BHP
1000	648	730	0.19																		
1100	713	740	0.21																		
1200	778	751	0.23	1017	0.47																
1300	842	763	0.25	1024	0.50																
1400	907	776	0.27	1031	0.53																
1500	972	790	0.30	1040	0.56	1249	0.88														
1600	1037	802	0.32	1051	0.60	1255	0.92														
1700	1102	816	0.35	1062	0.64	1262	0.96	1439	1.33												
1800	1166	830	0.38	1074	0.69	1271	1.01	1446	1.38												
1900	1231	846	0.41	1087	0.73	1280	1.07	1452	1.44	1608	1.86										
2000	1296	862	0.45	1100	0.78	1291	1.13	1460	1.51	1615	1.93										
2100	1361	880	0.49	1114	0.83	1303	1.19	1469	1.58	1622	2.00	1764	2.46								
2200	1426	899	0.53	1127	0.88	1315	1.26	1479	1.65	1630	2.08	1770	2.54	1896	3.01						
2300	1490	917	0.57	1139	0.93	1327	1.32	1490	1.73	1638	2.16	1777	2.63	1908	3.13						
2400	1555	936	0.62	1153	0.99	1340	1.40	1501	1.81	1648	2.25	1784	2.72	1914	3.23	2034	3.75				
2500	1620	955	0.67	1167	1.05	1354	1.47	1513	1.90	1658	2.35	1793	2.82	1920	3.33	2042	3.87	2151	4.40		
2600	1685	974	0.72	1182	1.11	1368	1.55	1526	1.99	1669	2.45	1802	2.93	1928	3.44	2048	3.98	2163	4.55	2262	5.09
2700	1750	993	0.78	1198	1.17	1380	1.63	1538	2.08	1680	2.55	1812	3.04	1937	3.56	2055	4.10	2168	4.68	2276	5.27
2800	1814	1011	0.83	1215	1.24	1393	1.70	1552	2.18	1692	2.66	1823	3.16	1946	3.68	2063	4.23	2175	4.80	2283	5.41
2900	1879	1030	0.89	1232	1.32	1406	1.78	1565	2.28	1705	2.77	1834	3.28	1956	3.81	2071	4.36	2182	4.94	2289	5.55
3000	1944	1049	0.96	1250	1.40	1421	1.87	1579	2.38	1718	2.89	1846	3.41	1966	3.94	2081	4.51	2190	5.09	2296	5.70
3100	2009	1068	1.03	1269	1.48	1435	1.96	1592	2.48	1731	3.01	1858	3.54	1977	4.09	2091	4.65	2199	5.25	2304	5.86
3200	2074	1088	1.10	1287	1.57	1451	2.05	1604	2.59	1744	3.13	1870	3.68	1989	4.23	2101	4.81	2209	5.41	2312	6.03
3300	2138	1108	1.17	1306	1.66	1466	2.15	1617	2.69	1758	3.26	1883	3.81	2001	4.38	2112	4.97	2219	5.57	2321	6.20
3400	2203	1129	1.25	1325	1.76	1483	2.25	1631	2.80	1772	3.39	1896	3.96	2013	4.54	2124	5.13	2229	5.75	2331	6.38
3500	2268	1149	1.33	1344	1.86	1500	2.36	1646	2.92	1784	3.51	1910	4.11	2026	4.70	2136	5.31	2240	5.93	2341	6.57
3600	2333	1171	1.42	1363	1.96	1518	2.48	1661	3.04	1797	3.64	1924	4.26	2039	4.87	2148	5.48	2252	6.12	2352	6.76
3700	2398	1192	1.51	1382	2.07	1536	2.60	1676	3.16	1810	3.78	1938	4.42	2052	5.04	2160	5.67	2264	6.31	2363	6.97
3800	2462	1213	1.60	1400	2.17	1554	2.73	1691	3.29	1824	3.91	1950	4.57	2066	5.21	2173	5.85	2276	6.50	2374	7.17
3900	2527	1235	1.70	1419	2.29	1573	2.86	1708	3.43	1838	4.06	1962	4.72	2079	5.39	2186	6.05	2288	6.71	2386	7.39
4000	2592	1257	1.81	1437	2.40	1591	2.99	1725	3.58	1853	4.21	1975	4.88	2093	5.58	2200	6.24	2301	6.92	2398	7.61
4100	2657	1280	1.92	1456	2.53	1610	3.13	1743	3.73	1868	4.36	1989	5.04	2106	5.75	2213	6.45	2314	7.14	2411	7.83
4200	2722	1302	2.03	1475	2.65	1629	3.28	1761	3.89	1884	4.53	2003	5.21	2118	5.93	2227	6.66	2328	7.36	2424	8.07
4300	2786	1325	2.15	1494	2.78	1648	3.43	1779	4.05	1900	4.69	2017	5.38	2131	6.11	2241	6.86	2341	7.58	2436	8.30
4400	2851	1347	2.27	1514	2.92	1667	3.58	1797	4.22	1916	4.86	2032	5.56	2144	6.30	2253	7.06	2355	7.81	2450	8.55

OV	CFM	11		12		13		14		15		16		17		18		19		20	
		RPM	BHP	RPM	BHP	RPM	BHP	RPM	BHP	RPM	BHP	RPM	BHP	RPM	BHP	RPM	BHP	RPM	BHP	RPM	BHP
2800	1814	2383	6.02																		
2900	1879	2392	6.19	2485	6.80																
3000	1944	2398	6.34	2497	7.01	2584	7.63														
3100	2009	2405	6.50	2503	7.17	2598	7.86	2680	8.50												
3200	2074	2412	6.67	2509	7.34	2603	8.04	2694	8.75	2773	9.40										
3300	2138	2420	6.85	2516	7.52	2610	8.22	2700	8.94	2787	9.66	2863	10.34								
3400	2203	2429	7.03	2524	7.71	2616	8.41	2707	9.14	2794	9.88	2877	10.62	2951	11.32						
3500	2268	2438	7.23	2532	7.91	2624	8.61	2713	9.34	2800	10.09	2885	10.86	2965	11.62	3037	12.34				
3600	2333	2448	7.43	2541	8.12	2632	8.83	2721	9.56	2807	10.31	2891	11.08	2974	11.88	3051	12.66	3120	13.40		
3700	2398	2458	7.64	2551	8.33	2641	9.05	2729	9.78	2814	10.54	2898	11.31	2979	12.11	3060	12.94	3134	13.73	3202	14.49
3800	2462	2469	7.85	2561	8.55	2650	9.27	2737	10.01	2822	10.77	2905	11.55	2986	12.35	3065	13.17	3144	14.02	3216	14.84
3900	2527	2480	8.08	2571	8.79	2660	9.51	2746	10.26	2830	11.02	2912	11.80	2993	12.61	3072	13.43	3149	14.28	3225	15.15
4000	2592	2492	8.31	2582	9.03	2670	9.76	2756	10.51	2839	11.28	2921	12.07	3000	12.87	3079	13.70	3156	14.55	3231	15.42
4100	2657	2504	8.55	2594	9.27	2681	10.01	2766	10.77	2848	11.55	2929	12.34	3009	13.15	3086	13.98	3162	14.83	3237	15.70
4200	2722	2516	8.79	2605	9.52	2692	10.27	2776	11.04	2858	11.82	2939	12.62	3017	13.44	3094	14.27	3170	15.13	3244	16.00
4300	2786	2528	9.04	2617	9.78	2703	10.54	2787	11.31	2868	12.10	2948	12.91	3026	13.73	3103	14.57	3178	15.43	3251	16.30
4400	2851	2541	9.29	2629	10.05	2715	10.82	2798	11.60	2879	12.40	2958	13.21	3036	14.04	3112	14.88	3186	15.74	3259	16.63

Performance shown is for installation type B&D - Free or ducted inlet, Ducted outlet.  
 Power rating (BHP) does not include drive losses.  
 Performance ratings do not include the effects of appurtenances in the airstream.

Model No. 22 RBC

Wheel Diameter 22.625 In.

Outlet Area .907 Sq. Ft.

OV	CFM	1		2		3		4		5		6		7		8		9		10	
		RPM	BHP	RPM	BHP	RPM	BHP	RPM	BHP	RPM	BHP	RPM	BHP	RPM	BHP	RPM	BHP	RPM	BHP	RPM	BHP
1000	907	617	0.26																		
1100	998	625	0.29																		
1200	1088	634	0.32	860	0.66																
1300	1179	645	0.35	866	0.70																
1400	1270	656	0.38	872	0.74																
1500	1361	667	0.42	880	0.79	1055	1.23														
1600	1451	678	0.45	888	0.84	1060	1.28														
1700	1542	690	0.49	898	0.90	1067	1.35	1216	1.86												
1800	1633	702	0.53	908	0.96	1074	1.42	1222	1.94												
1900	1723	715	0.58	919	1.02	1082	1.50	1228	2.02	1359	2.60										
2000	1814	729	0.63	930	1.09	1091	1.58	1234	2.11	1366	2.70										
2100	1905	744	0.68	941	1.16	1101	1.67	1242	2.21	1371	2.80	1491	3.44								
2200	1995	759	0.74	952	1.23	1111	1.76	1250	2.31	1378	2.91	1496	3.56	1603	4.22						
2300	2086	775	0.80	963	1.31	1122	1.85	1259	2.42	1385	3.03	1502	3.68	1613	4.38						
2400	2177	791	0.87	975	1.38	1133	1.96	1269	2.54	1393	3.15	1508	3.81	1618	4.52	1719	5.25				
2500	2268	807	0.94	987	1.47	1145	2.06	1279	2.66	1402	3.28	1516	3.95	1623	4.66	1726	5.41	1818	6.16		
2600	2358	823	1.01	1000	1.55	1156	2.17	1290	2.78	1411	3.42	1523	4.10	1630	4.81	1731	5.57	1828	6.37	1912	7.13
2700	2449	839	1.09	1013	1.64	1167	2.27	1300	2.91	1420	3.57	1532	4.26	1637	4.98	1737	5.74	1833	6.54	1924	7.38
2800	2540	855	1.17	1027	1.74	1178	2.38	1312	3.05	1431	3.72	1541	4.42	1645	5.15	1744	5.92	1839	6.73	1930	7.58
2900	2630	870	1.25	1042	1.85	1189	2.50	1323	3.19	1441	3.88	1550	4.59	1653	5.33	1751	6.11	1845	6.92	1935	7.77
3000	2721	887	1.34	1057	1.96	1201	2.61	1335	3.34	1452	4.04	1560	4.77	1662	5.52	1759	6.31	1852	7.13	1941	7.98
3100	2812	903	1.44	1072	2.07	1213	2.74	1346	3.48	1463	4.21	1570	4.95	1671	5.72	1767	6.51	1859	7.34	1947	8.20
3200	2902	920	1.53	1088	2.20	1226	2.87	1356	3.62	1474	4.38	1581	5.14	1681	5.92	1776	6.73	1867	7.56	1955	8.43
3300	2993	937	1.64	1104	2.32	1240	3.01	1367	3.77	1486	4.56	1592	5.34	1691	6.13	1785	6.95	1876	7.80	1962	8.68
3400	3084	954	1.75	1120	2.46	1253	3.15	1379	3.92	1498	4.75	1603	5.54	1702	6.35	1795	7.19	1884	8.04	1970	8.93
3500	3175	972	1.87	1136	2.60	1268	3.31	1391	4.09	1508	4.92	1615	5.75	1713	6.58	1805	7.43	1894	8.30	1979	9.19
3600	3265	990	1.99	1152	2.74	1283	3.47	1404	4.25	1519	5.10	1626	5.97	1723	6.81	1816	7.67	1903	8.56	1988	9.47
3700	3356	1008	2.11	1168	2.89	1298	3.64	1417	4.43	1530	5.29	1638	6.19	1735	7.05	1826	7.93	1913	8.83	1997	9.75
3800	3447	1026	2.25	1184	3.05	1314	3.82	1430	4.61	1542	5.48	1648	6.40	1746	7.30	1837	8.20	1924	9.11	2007	10.04
3900	3537	1044	2.38	1199	3.20	1329	4.00	1444	4.80	1554	5.68	1659	6.61	1758	7.55	1848	8.46	1934	9.39	2017	10.34
4000	3628	1063	2.53	1215	3.37	1345	4.19	1458	5.01	1566	5.89	1670	6.83	1769	7.81	1860	8.74	1945	9.69	2027	10.65
4100	3719	1082	2.68	1231	3.54	1361	4.39	1473	5.22	1579	6.11	1681	7.06	1780	8.05	1871	9.02	1956	9.99	2038	10.97
4200	3809	1101	2.84	1247	3.71	1377	4.59	1488	5.44	1592	6.33	1693	7.29	1790	8.29	1883	9.31	1967	10.29	2049	11.29
4300	3900	1120	3.01	1263	3.90	1393	4.80	1504	5.67	1606	6.57	1705	7.54	1801	8.55	1894	9.61	1979	10.61	2060	11.62
4400	3991	1139	3.18	1280	4.09	1410	5.02	1519	5.91	1620	6.81	1718	7.79	1813	8.81	1905	9.88	1990	10.93	2071	11.97

OV	CFM	11		12		13		14		15		16		17		18		19		20	
		RPM	BHP	RPM	BHP	RPM	BHP	RPM	BHP	RPM	BHP	RPM	BHP	RPM	BHP	RPM	BHP	RPM	BHP	RPM	BHP
2800	2540	2014	8.43																		
2900	2630	2022	8.66	2101	9.52																
3000	2721	2027	8.88	2111	9.81	2184	10.68														
3100	2812	2033	9.10	2116	10.03	2196	11.00	2265	11.89												
3200	2902	2039	9.33	2121	10.27	2201	11.25	2277	12.24	2344	13.15										
3300	2993	2046	9.59	2127	10.53	2206	11.50	2283	12.51	2356	13.53	2420	14.47								
3400	3084	2053	9.85	2134	10.79	2212	11.77	2288	12.79	2362	13.83	2432	14.87	2494	15.85						
3500	3175	2061	10.12	2141	11.07	2218	12.06	2294	13.07	2367	14.12	2439	15.21	2506	16.27	2567	17.27				
3600	3265	2069	10.40	2148	11.36	2225	12.35	2300	13.37	2373	14.42	2444	15.51	2514	16.63	2579	17.71	2638	18.75		
3700	3356	2078	10.69	2156	11.66	2232	12.66	2306	13.69	2379	14.75	2449	15.83	2519	16.95	2586	18.10	2650	19.22	2707	20.28
3800	3447	2087	11.00	2165	11.98	2240	12.98	2314	14.02	2385	15.08	2455	16.17	2524	17.29	2591	18.44	2657	19.63	2719	20.78
3900	3537	2097	11.31	2174	12.30	2248	13.31	2321	14.36	2392	15.42	2462	16.52	2530	17.65	2597	18.80	2662	19.98	2726	21.20
4000	3628	2106	11.63	2183	12.63	2257	13.66	2329	14.71	2400	15.79	2469	16.89	2536	18.02	2603	19.18	2667	20.37	2731	21.58
4100	3719	2116	11.96	2192	12.98	2266	14.02	2338	15.08	2408	16.16	2476	17.27	2543	18.41	2609	19.57	2673	20.76	2737	21.98
4200	3809	2127	12.30	2202	13.33	2275	14.38	2347	15.45	2416	16.54	2484	17.66	2550	18.81	2616	19.98	2679	21.17	2742	22.39
4300	3900	2137	12.65	2212	13.69	2285	14.76	2356	15.84	2425	16.94	2492	18.07	2558	19.22	2623	20.40	2686	21.60	2748	22.82
4400	3991	2148	13.01	2223	14.07	2295	15.14	2365	16.24	2434	17.35	2501	18.49	2566	19.65	2630	20.83	2693	22.04	2755	23.27

Performance shown is for installation type B&D - Free or ducted inlet, Ducted outlet.  
 Power rating (BHP) does not include drive losses.  
 Performance ratings do not include the effects of appurtenances in the airstream.

Model No. 26 RBC

Wheel Diameter 26.25 In.

Outlet Area 1.239 Sq. Ft.

OV	CFM	1		2		3		4		5		6		7		8		9		10	
		RPM	BHP	RPM	BHP	RPM	BHP	RPM	BHP	RPM	BHP	RPM	BHP	RPM	BHP	RPM	BHP	RPM	BHP	RPM	BHP
1000	1239	530	0.31	725	0.64																
1100	1363	539	0.35	729	0.70	885	1.08														
1200	1487	548	0.39	734	0.75	887	1.16	1016	1.57												
1300	1611	558	0.42	741	0.81	890	1.24	1022	1.69												
1400	1735	568	0.46	749	0.88	895	1.32	1024	1.80	1141	2.29										
1500	1859	578	0.51	757	0.95	901	1.41	1028	1.90	1143	2.42	1247	2.95								
1600	1982	589	0.56	766	1.02	908	1.50	1033	2.02	1146	2.55	1252	3.12	1345	3.67						
1700	2106	600	0.61	775	1.09	916	1.60	1038	2.13	1150	2.69	1254	3.27	1352	3.88	1437	4.45				
1800	2230	611	0.66	785	1.17	924	1.70	1045	2.26	1155	2.83	1257	3.44	1353	4.06	1445	4.70	1524	5.30		
1900	2354	624	0.72	795	1.25	933	1.81	1052	2.38	1161	2.98	1262	3.60	1356	4.25	1446	4.91	1532	5.59	1607	6.22
2000	2478	636	0.79	805	1.33	942	1.91	1060	2.51	1167	3.13	1267	3.77	1360	4.44	1449	5.12	1534	5.82	1615	6.54
2100	2602	649	0.85	815	1.42	952	2.03	1069	2.65	1175	3.29	1273	3.95	1365	4.63	1453	5.34	1536	6.06	1617	6.80
2200	2726	663	0.93	826	1.51	961	2.14	1078	2.79	1182	3.45	1280	4.14	1371	4.84	1457	5.56	1540	6.30	1619	7.06
2300	2850	677	1.01	836	1.61	971	2.26	1087	2.93	1191	3.62	1287	4.32	1377	5.05	1462	5.79	1544	6.55	1622	7.33
2400	2974	692	1.09	848	1.71	981	2.38	1096	3.08	1199	3.79	1295	4.52	1384	5.26	1468	6.03	1549	6.81	1626	7.60
2500	3098	707	1.18	859	1.82	991	2.51	1106	3.24	1208	3.97	1303	4.72	1391	5.48	1475	6.27	1555	7.07	1631	7.89
2600	3221	721	1.28	871	1.94	1001	2.64	1116	3.39	1218	4.15	1311	4.92	1399	5.71	1482	6.51	1561	7.34	1637	8.17
2700	3345	737	1.38	883	2.06	1012	2.78	1125	3.55	1227	4.34	1320	5.13	1407	5.94	1489	6.77	1567	7.61	1643	8.47
2800	3469	752	1.49	896	2.19	1022	2.93	1135	3.71	1237	4.53	1329	5.35	1416	6.18	1497	7.03	1575	7.89	1649	8.77
2900	3593	768	1.61	909	2.32	1033	3.08	1146	3.89	1247	4.73	1339	5.58	1425	6.43	1505	7.30	1582	8.18	1656	9.08
3000	3717	784	1.73	922	2.46	1045	3.24	1156	4.06	1256	4.92	1349	5.80	1434	6.68	1514	7.57	1590	8.48	1664	9.40
3100	3841	800	1.86	936	2.61	1057	3.42	1167	4.25	1266	5.13	1358	6.04	1443	6.94	1523	7.86	1599	8.78	1671	9.73
3200	3965	817	2.00	950	2.76	1069	3.59	1177	4.44	1276	5.34	1368	6.27	1453	7.21	1532	8.14	1607	9.10	1679	10.06
3300	4089	833	2.15	964	2.92	1081	3.77	1188	4.64	1287	5.56	1378	6.51	1463	7.48	1541	8.44	1616	9.41	1688	10.40
3400	4213	850	2.30	979	3.10	1094	3.96	1199	4.86	1298	5.79	1388	6.75	1472	7.74	1551	8.74	1626	9.74	1697	10.75
3500	4337	867	2.47	994	3.28	1106	4.15	1211	5.08	1308	6.02	1398	7.01	1482	8.02	1561	9.05	1635	10.07	1706	11.10
3600	4460	884	2.64	1009	3.46	1119	4.36	1223	5.31	1318	6.26	1408	7.27	1491	8.30	1570	9.35	1644	10.41	1715	11.46
3700	4584	901	2.82	1024	3.66	1133	4.57	1235	5.54	1329	6.52	1419	7.54	1501	8.59	1580	9.66	1654	10.75	1724	11.83
3800	4708	918	3.01	1039	3.86	1147	4.79	1247	5.78	1341	6.78	1429	7.82	1512	8.88	1590	9.98	1664	11.10	1734	12.21
3900	4832	936	3.21	1054	4.08	1161	5.02	1259	6.03	1352	7.06	1440	8.10	1522	9.19	1600	10.31	1673	11.45	1744	12.59
4000	4956	953	3.42	1070	4.30	1175	5.27	1272	6.29	1364	7.34	1450	8.40	1533	9.51	1610	10.64	1683	11.80	1753	12.98
4100	5080	971	3.64	1086	4.54	1190	5.52	1285	6.55	1376	7.64	1461	8.71	1543	9.84	1620	10.99	1693	12.16	1763	13.36
4200	5204	989	3.87	1102	4.79	1204	5.78	1298	6.83	1389	7.94	1473	9.04	1554	10.17	1630	11.34	1703	12.54	1773	13.76
4300	5328	1007	4.11	1118	5.04	1219	6.06	1312	7.12	1401	8.24	1485	9.37	1564	10.52	1641	11.71	1713	12.92	1782	14.16
4400	5452	1024	4.36	1134	5.31	1234	6.34	1326	7.42	1413	8.55	1497	9.72	1575	10.88	1652	12.08	1724	13.31	1792	14.57

OV	CFM	11		12		13		14		15		16		17		18		19		20	
		RPM	BHP	RPM	BHP	RPM	BHP	RPM	BHP	RPM	BHP	RPM	BHP	RPM	BHP	RPM	BHP	RPM	BHP	RPM	BHP
2000	2478	1686	7.20																		
2100	2602	1694	7.55	1761	8.25																
2200	2726	1695	7.83	1769	8.62	1835	9.36														
2300	2850	1698	8.12	1771	8.93	1842	9.76	1905	10.54												
2400	2974	1701	8.42	1773	9.25	1843	10.09	1911	10.95	1965	11.30										
2500	3098	1705	8.72	1776	9.57	1846	10.44	1913	11.32	1979	12.21	2040	13.08	2097	13.91	2151	14.74				
2600	3221	1710	9.03	1780	9.90	1849	10.78	1916	11.68	1980	12.59	2044	13.52	2105	14.45	2160	15.31	2213	16.17		
2700	3345	1715	9.34	1785	10.23	1853	11.14	1919	12.06	1983	12.99	2046	13.94	2107	14.90	2167	15.87	2221	16.78	2273	17.67
2800	3469	1721	9.67	1790	10.58	1857	11.50	1923	12.44	1986	13.39	2048	14.36	2109	15.34	2169	16.33	2227	17.34	2281	18.31
2900	3593	1727	10.00	1796	10.93	1862	11.87	1927	12.83	1990	13.80	2052	14.79	2112	15.79	2171	16.80	2228	17.83	2285	18.86
3000	3717	1734	10.34	1802	11.29	1868	12.25	1932	13.23	1995	14.22	2056	15.23	2115	16.25	2174	17.28	2231	18.33	2287	19.38
3100	3841	1741	10.68	1809	11.65	1874	12.64	1938	13.64	2000	14.65	2060	15.68	2119	16.71	2177	17.77	2234	18.83	2289	19.91
3200	3965	1749	11.04	1816	12.03	1881	13.03	1944	14.05	2005	15.09	2065	16.13	2124	17.19	2181	18.26	2237	19.35	2292	20.44
3300	4089	1757	11.40	1823	12.41	1888	13.44	1950	14.48	2011	15.53	2071	16.60	2129	17.68	2186	18.77	2241	19.87	2296	20.99
3400	4213	1765	11.77	1831	12.80	1895	13.85	1957	14.91	2018	15.98	2077	17.07	2134	18.17	2191	19.28	2246	20.41	2300	21.54
3500	4337	1774	12.15	1839	13.20	1903	14.27	1965	15.35	2025	16.45	2083	17.55	2140	18.67	2196	19.80	2251	20.95	2305	22.10
3600	4460	1783	12.53	1848	13.61	1911	14.70	1972	15.80	2032	16.91	2090	18.04	2147	19.18	2202	20.33	2257	21.50	2310	22.67
3700	4584	1792	12.92	1856	14.02	1919	15.13	1980	16.26	2039	17.39	2097	18.54	2154	19.70	2209	20.87	2263	22.06	2316	23.25
3800	4708	1801	13.32	1865	14.45	1928	15.58	1988	16.73	2047	17.88	2105	19.05	2161	20.23	2215	21.43	2269	22.63	2322	23.85
3900	4832	1810	13.73	1875	14.88	1937	16.03	1997	17.20	2055	18.38	2112	19.57	2168	20.77	2223	21.99	2276	23.21	2328	24.45
4000	4956	1820	14.15	1884	15.32	1946	16.50	2006	17.69	2064	18.89	2120	20.10	2176	21.32	2230	22.56	2283	23.81	2335	25.06
4100	5080	1830	14.57	1893	15.76	1955	16.97	2014	18.18	2072	19.41	2129	20.64	2184	21.89	2238	23.14	2290	24.41	2342	25.69
4200	5204	1839	14.99	1903	16.22	1964	17.45	2024	18.69	2081	19.93	2137	21.19	2192	22.46	2246	23.73	2298	25.02	2349	26.32
4300	5328	1849	15.42	1913	16.68	1974	17.94	2033	19.20	2090	20.47	2146	21.75	2201	23.03	2254	24.33	2306	25.64	2357	26.96
4400	5452	1859	15.85	1923	17.15	1984	18.43	2042	19.72	2100	21.01	2155	22.31	2209	23.62	2262	24.9				



Model No. 29 RBC

Wheel Diameter 29.625 In.

Outlet Area 1.56 Sq. Ft.

OV	CFM	1		2		3		4		5		6		7		8		9		10	
		RPM	BHP	RPM	BHP	RPM	BHP	RPM	BHP	RPM	BHP	RPM	BHP	RPM	BHP	RPM	BHP	RPM	BHP	RPM	BHP
1000	1560	469	0.40	642	0.81																
1100	1716	476	0.44	645	0.88	783	1.36														
1200	1872	485	0.48	650	0.95	785	1.46	899	1.98												
1300	2028	493	0.53	656	1.03	788	1.56	905	2.13												
1400	2184	502	0.58	662	1.11	792	1.67	907	2.26	1010	2.88										
1500	2340	511	0.64	669	1.19	797	1.78	910	2.40	1013	3.06	1103	3.71								
1600	2496	520	0.70	677	1.28	803	1.89	914	2.54	1015	3.22	1109	3.93	1190	4.62						
1700	2652	529	0.76	686	1.37	810	2.01	919	2.69	1018	3.39	1111	4.13	1197	4.89	1272	5.61				
1800	2808	540	0.83	694	1.47	817	2.14	925	2.84	1022	3.57	1113	4.33	1199	5.12	1279	5.93	1349	6.68		
1900	2964	550	0.90	702	1.57	825	2.27	931	3.00	1027	3.76	1117	4.54	1201	5.35	1281	6.19	1356	7.04	1422	7.83
2000	3120	561	0.98	711	1.67	833	2.41	938	3.16	1033	3.95	1121	4.76	1205	5.60	1283	6.46	1359	7.35	1429	8.24
2100	3276	572	1.07	720	1.78	841	2.55	945	3.33	1039	4.14	1127	4.98	1209	5.84	1286	6.73	1361	7.64	1432	8.58
2200	3432	584	1.16	729	1.89	850	2.69	953	3.51	1046	4.34	1132	5.21	1213	6.10	1290	7.01	1364	7.95	1434	8.91
2300	3588	597	1.25	739	2.01	858	2.84	961	3.69	1053	4.55	1138	5.44	1219	6.36	1294	7.30	1367	8.26	1437	9.24
2400	3744	609	1.36	748	2.14	867	2.99	969	3.87	1061	4.77	1145	5.69	1224	6.63	1299	7.59	1371	8.58	1440	9.59
2500	3900	622	1.47	758	2.28	875	3.15	978	4.07	1068	4.99	1152	5.94	1231	6.90	1305	7.89	1376	8.91	1444	9.94
2600	4056	635	1.59	769	2.43	885	3.31	986	4.26	1077	5.22	1160	6.19	1237	7.19	1311	8.20	1381	9.24	1449	10.30
2700	4212	649	1.72	780	2.58	894	3.49	994	4.46	1085	5.45	1167	6.46	1244	7.48	1317	8.52	1387	9.59	1454	10.67
2800	4368	662	1.85	790	2.73	903	3.67	1003	4.66	1093	5.70	1175	6.73	1252	7.78	1324	8.85	1393	9.94	1459	11.05
2900	4524	676	2.00	801	2.90	912	3.86	1012	4.88	1102	5.94	1184	7.01	1260	8.09	1331	9.18	1400	10.30	1465	11.44
3000	4680	690	2.15	813	3.07	922	4.06	1021	5.10	1110	6.18	1192	7.29	1268	8.40	1339	9.53	1407	10.67	1472	11.83
3100	4836	704	2.31	825	3.25	933	4.27	1031	5.33	1119	6.44	1201	7.58	1276	8.72	1347	9.88	1414	11.05	1478	12.24
3200	4992	718	2.48	837	3.44	943	4.49	1040	5.57	1128	6.70	1209	7.87	1284	9.05	1355	10.24	1421	11.44	1485	12.66
3300	5148	733	2.66	850	3.64	954	4.72	1049	5.82	1137	6.97	1217	8.17	1293	9.39	1363	10.60	1429	11.83	1493	13.08
3400	5304	747	2.85	862	3.86	965	4.95	1059	6.08	1146	7.25	1226	8.47	1301	9.73	1371	10.98	1437	12.24	1500	13.51
3500	5460	762	3.05	875	4.08	976	5.19	1069	6.35	1155	7.55	1235	8.79	1309	10.07	1379	11.36	1445	12.65	1508	13.96
3600	5616	777	3.27	888	4.31	987	5.44	1079	6.64	1164	7.85	1244	9.12	1318	10.42	1388	11.76	1454	13.08	1516	14.41
3700	5772	792	3.49	902	4.55	999	5.71	1090	6.93	1174	8.16	1253	9.45	1327	10.78	1396	12.14	1462	13.51	1524	14.87
3800	5928	807	3.73	915	4.81	1011	5.98	1101	7.24	1183	8.49	1262	9.80	1336	11.15	1405	12.54	1471	13.95	1533	15.34
3900	6084	822	3.98	928	5.07	1023	6.27	1111	7.54	1194	8.83	1271	10.16	1345	11.53	1413	12.94	1479	14.38	1541	15.82
4000	6240	838	4.23	942	5.35	1035	6.57	1122	7.86	1204	9.18	1281	10.53	1354	11.93	1422	13.36	1487	14.82	1550	16.31
4100	6396	853	4.51	955	5.64	1048	6.88	1133	8.19	1214	9.55	1290	10.91	1363	12.33	1431	13.79	1496	15.27	1558	16.79
4200	6552	868	4.79	969	5.94	1061	7.20	1145	8.53	1225	9.93	1300	11.31	1372	12.75	1440	14.23	1505	15.74	1566	17.28
4300	6708	884	5.08	983	6.26	1074	7.54	1156	8.88	1236	10.31	1310	11.72	1381	13.17	1449	14.68	1514	16.21	1575	17.78
4400	6864	900	5.39	998	6.59	1087	7.89	1168	9.25	1246	10.69	1321	12.15	1391	13.62	1459	15.15	1523	16.70	1584	18.29

OV	CFM	11		12		13		14		15		16		17		18		19		20	
		RPM	BHP	RPM	BHP	RPM	BHP	RPM	BHP	RPM	BHP	RPM	BHP	RPM	BHP	RPM	BHP	RPM	BHP	RPM	BHP
2000	3120	1492	9.07																		
2100	3276	1499	9.51	1559	10.39																
2200	3432	1502	9.89	1566	10.87	1624	11.79														
2300	3588	1504	10.25	1569	11.27	1631	12.31	1686	13.27												
2400	3744	1506	10.62	1571	11.67	1633	12.74	1693	13.82	1747	14.83	1798	15.83								
2500	3900	1510	10.99	1573	12.07	1635	13.17	1695	14.28	1753	15.41	1806	16.48	1856	17.52						
2600	4056	1514	11.38	1576	12.48	1637	13.60	1697	14.74	1754	15.89	1811	17.07	1863	18.20	1911	19.29	1959	20.38		
2700	4212	1518	11.78	1580	12.90	1641	14.05	1699	15.21	1756	16.39	1812	17.59	1867	18.80	1919	20.01	1966	21.13	2012	22.26
2800	4368	1523	12.18	1585	13.33	1644	14.50	1702	15.69	1759	16.89	1814	18.12	1868	19.35	1921	20.61	1973	21.88	2019	23.06
2900	4524	1528	12.59	1590	13.77	1649	14.96	1706	16.18	1762	17.41	1817	18.65	1870	19.92	1923	21.20	1974	22.50	2024	23.81
3000	4680	1534	13.02	1595	14.22	1654	15.44	1710	16.67	1766	17.93	1820	19.20	1873	20.49	1925	21.80	1976	23.12	2026	24.46
3100	4836	1541	13.45	1600	14.68	1659	15.92	1715	17.18	1770	18.46	1824	19.76	1877	21.08	1928	22.41	1978	23.75	2028	25.12
3200	4992	1547	13.89	1607	15.14	1664	16.42	1720	17.70	1775	19.01	1828	20.33	1880	21.67	1931	23.03	1981	24.40	2030	25.78
3300	5148	1554	14.34	1613	15.62	1670	16.92	1726	18.23	1780	19.56	1833	20.91	1885	22.28	1935	23.66	1985	25.05	2033	26.47
3400	5304	1561	14.80	1620	16.11	1677	17.43	1732	18.77	1786	20.13	1838	21.50	1889	22.89	1939	24.30	1989	25.72	2037	27.16
3500	5460	1569	15.27	1627	16.61	1683	17.96	1738	19.33	1791	20.71	1844	22.11	1894	23.52	1944	24.95	1993	26.40	2041	27.86
3600	5616	1576	15.76	1634	17.12	1690	18.49	1745	19.89	1798	21.30	1849	22.72	1900	24.16	1949	25.62	1998	27.09	2045	28.57
3700	5772	1584	16.25	1642	17.64	1697	19.04	1751	20.46	1804	21.90	1856	23.35	1906	24.81	1955	26.30	2003	27.79	2050	29.30
3800	5928	1592	16.74	1649	18.16	1705	19.60	1759	21.04	1811	22.51	1862	23.98	1912	25.48	1960	26.98	2008	28.51	2055	30.04
3900	6084	1600	17.25	1657	18.70	1712	20.16	1766	21.64	1818	23.13	1869	24.63	1918	26.15	1967	27.69	2014	29.23	2060	30.80
4000	6240	1609	17.77	1665	19.25	1720	20.74	1773	22.24	1825	23.76	1876	25.29	1925	26.84	1973	28.40	2020	29.97	2066	31.56
4100	6396	1617	18.30	1674	19.81	1728	21.33	1781	22.86	1833	24.41	1883	25.96	1932	27.54	1979	29.12	2026	30.72	2072	32.34
4200	6552	1626	18.84	1682	20.38	1737	21.93	1789	23.49	1840	25.06	1890	26.65	1939	28.25	1986	29.86	2033	31.49	2078	33.13
4300	6708	1634	19.37	1691	20.96	1745	22.54	1797	24.13	1848	25.73	1898	27.34	1946	28.97	1993	30.61	2040	32.27	2085	33.93
4400	6864	1642	19.91	1699	21.54	1753	23.15	1805	24.78	1856	26.41	1906									



Model No. 33 RBC

Wheel Diameter 33 In.

Outlet Area 1.95 Sq. Ft.

OV	CFM	1		2		3		4		5		6		7		8		9		10	
		RPM	BHP	RPM	BHP	RPM	BHP	RPM	BHP	RPM	BHP	RPM	BHP	RPM	BHP	RPM	BHP	RPM	BHP	RPM	BHP
1000	1950	421	0.49	576	1.01																
1100	2145	428	0.55	579	1.09	704	1.70														
1200	2340	436	0.61	584	1.19	705	1.82	808	2.47												
1300	2535	443	0.67	589	1.28	708	1.95	813	2.66												
1400	2730	451	0.73	595	1.38	712	2.08	815	2.83	907	3.60										
1500	2925	459	0.80	602	1.49	716	2.22	817	3.00	909	3.82	991	4.64								
1600	3120	468	0.87	609	1.60	722	2.37	821	3.17	912	4.02	996	4.91	1069	5.77						
1700	3315	476	0.95	616	1.72	728	2.52	826	3.36	915	4.24	997	5.16	1075	6.11	1143	7.01				
1800	3510	486	1.04	624	1.84	734	2.68	831	3.55	918	4.46	1000	5.41	1076	6.39	1149	7.41	1212	8.35		
1900	3705	495	1.14	632	1.96	741	2.84	837	3.75	923	4.69	1003	5.67	1079	6.69	1150	7.73	1218	8.80	1277	9.79
2000	3900	505	1.23	640	2.09	749	3.01	843	3.95	928	4.93	1007	5.94	1082	6.99	1152	8.06	1220	9.17	1284	10.29
2100	4095	515	1.34	648	2.23	756	3.19	849	4.17	934	5.18	1012	6.22	1086	7.30	1155	8.40	1222	9.54	1286	10.71
2200	4290	526	1.45	656	2.37	764	3.37	856	4.39	940	5.43	1017	6.51	1090	7.62	1159	8.76	1225	9.92	1288	11.12
2300	4485	537	1.58	664	2.53	771	3.55	864	4.61	947	5.69	1023	6.80	1095	7.94	1163	9.11	1228	10.31	1290	11.54
2400	4680	549	1.71	673	2.69	779	3.74	871	4.85	953	5.97	1029	7.11	1100	8.28	1167	9.48	1232	10.71	1293	11.97
2500	4875	561	1.85	682	2.86	787	3.94	879	5.09	961	6.24	1036	7.42	1106	8.63	1172	9.86	1236	11.13	1297	12.42
2600	5070	573	2.00	692	3.05	796	4.15	887	5.33	968	6.53	1042	7.75	1112	8.99	1178	10.25	1241	11.55	1301	12.87
2700	5265	585	2.16	702	3.24	804	4.37	894	5.58	975	6.83	1049	8.08	1118	9.35	1184	10.65	1246	11.98	1306	13.33
2800	5460	597	2.33	711	3.43	812	4.60	902	5.84	983	7.13	1057	8.42	1125	9.73	1190	11.06	1252	12.42	1311	13.81
2900	5655	609	2.52	722	3.64	821	4.84	910	6.11	991	7.43	1064	8.77	1132	10.12	1197	11.48	1258	12.88	1317	14.30
3000	5850	622	2.71	732	3.86	830	5.10	919	6.39	998	7.74	1072	9.13	1140	10.51	1203	11.92	1264	13.34	1322	14.79
3100	6045	635	2.91	743	4.09	839	5.36	927	6.68	1006	8.06	1080	9.49	1147	10.92	1210	12.36	1271	13.82	1329	15.30
3200	6240	648	3.13	754	4.33	849	5.64	935	6.98	1014	8.39	1087	9.86	1155	11.33	1218	12.81	1278	14.31	1335	15.83
3300	6435	661	3.36	765	4.58	859	5.93	944	7.29	1022	8.74	1095	10.23	1162	11.76	1225	13.27	1285	14.81	1342	16.36
3400	6630	674	3.60	777	4.85	868	6.22	953	7.62	1031	9.09	1103	10.61	1170	12.18	1233	13.74	1292	15.32	1349	16.90
3500	6825	688	3.86	789	5.13	878	6.52	962	7.97	1039	9.46	1111	11.01	1177	12.61	1240	14.23	1299	15.84	1356	17.46
3600	7020	701	4.13	801	5.43	889	6.84	971	8.33	1047	9.84	1119	11.42	1185	13.05	1248	14.71	1307	16.37	1363	18.03
3700	7215	715	4.41	813	5.74	899	7.17	981	8.71	1056	10.24	1127	11.85	1193	13.50	1256	15.20	1315	16.91	1371	18.61
3800	7410	728	4.71	825	6.06	910	7.52	991	9.08	1065	10.65	1136	12.28	1201	13.97	1263	15.69	1322	17.46	1378	19.20
3900	7605	742	5.02	837	6.39	921	7.88	1000	9.47	1074	11.08	1144	12.73	1209	14.45	1271	16.21	1330	18.00	1386	19.80
4000	7800	756	5.35	849	6.74	933	8.26	1010	9.87	1084	11.53	1152	13.20	1218	14.94	1279	16.73	1338	18.55	1394	20.41
4100	7995	770	5.70	862	7.11	944	8.65	1020	10.28	1093	11.99	1161	13.69	1226	15.46	1287	17.27	1345	19.12	1401	21.01
4200	8190	784	6.05	874	7.49	956	9.06	1031	10.72	1103	12.47	1170	14.19	1234	15.98	1295	17.83	1353	19.71	1409	21.63
4300	8385	798	6.43	887	7.89	968	9.49	1042	11.17	1112	12.94	1179	14.71	1243	16.52	1304	18.40	1361	20.31	1416	22.26
4400	8580	812	6.82	900	8.31	980	9.93	1053	11.63	1122	13.43	1189	15.25	1251	17.08	1312	18.98	1370	20.93	1424	22.91

OV	CFM	11		12		13		14		15		16		17		18		19		20	
		RPM	BHP	RPM	BHP	RPM	BHP	RPM	BHP	RPM	BHP	RPM	BHP	RPM	BHP	RPM	BHP	RPM	BHP	RPM	BHP
2000	3900	1340	11.34																		
2100	4095	1347	11.89	1401	12.98																
2200	4290	1348	12.34	1407	13.59	1459	14.73														
2300	4485	1350	12.79	1408	14.07	1465	15.37	1515	16.58	1563	17.79										
2400	4680	1353	13.26	1410	14.57	1466	15.90	1520	17.25	1569	18.53	1616	19.79								
2500	4875	1356	13.73	1413	15.07	1468	16.43	1522	17.82	1574	19.23	1622	20.59	1667	21.89						
2600	5070	1360	14.22	1416	15.59	1470	16.98	1524	18.40	1575	19.84	1626	21.30	1674	22.75	1717	24.10	1760	25.46		
2700	5265	1364	14.71	1419	16.11	1473	17.54	1526	18.99	1577	20.46	1627	21.95	1676	23.47	1723	25.00	1766	26.41	1807	27.82
2800	5460	1368	15.22	1423	16.65	1477	18.11	1529	19.59	1580	21.09	1629	22.62	1677	24.16	1725	25.73	1771	27.31	1814	28.83
2900	5655	1373	15.74	1428	17.20	1481	18.69	1533	20.20	1583	21.74	1632	23.29	1680	24.87	1726	26.46	1772	28.08	1817	29.72
3000	5850	1379	16.27	1433	17.77	1485	19.29	1536	20.83	1586	22.40	1635	23.98	1682	25.59	1729	27.21	1774	28.86	1819	30.53
3100	6045	1384	16.81	1438	18.34	1490	19.90	1541	21.47	1590	23.06	1638	24.68	1685	26.32	1731	27.98	1776	29.66	1821	31.35
3200	6240	1391	17.37	1444	18.93	1495	20.51	1546	22.12	1595	23.75	1642	25.40	1689	27.07	1734	28.76	1779	30.47	1823	32.19
3300	6435	1397	17.93	1450	19.53	1501	21.15	1551	22.79	1599	24.45	1647	26.13	1693	27.83	1738	29.55	1782	31.29	1826	33.05
3400	6630	1403	18.51	1456	20.15	1507	21.79	1556	23.47	1604	25.16	1651	26.87	1697	28.60	1742	30.35	1786	32.13	1829	33.91
3500	6825	1410	19.11	1462	20.77	1513	22.45	1562	24.16	1610	25.88	1656	27.63	1702	29.39	1746	31.18	1790	32.98	1833	34.80
3600	7020	1417	19.71	1469	21.41	1519	23.13	1568	24.86	1615	26.62	1662	28.40	1707	30.20	1751	32.01	1795	33.84	1837	35.70
3700	7215	1424	20.33	1476	22.06	1526	13.81	1574	25.58	1621	27.37	1667	29.18	1712	31.01	1756	32.86	1799	34.72	1841	36.61
3800	7410	1431	20.95	1483	22.72	1532	24.51	1581	26.32	1627	28.14	1673	29.98	1718	31.85	1761	33.73	1804	35.62	1846	37.54
3900	7605	1439	21.59	1490	23.40	1539	25.22	1587	27.07	1634	28.92	1679	30.80	1724	32.69	1767	34.61	1809	36.54	1851	38.49
4000	7800	1446	22.25	1497	24.09	1547	25.95	1594	27.83	1640	29.72	1686	31.63	1730	33.56	1773	35.50	1815	37.47	1856	39.45
4100	7995	1454	22.91	1505	24.79	1554	26.69	1601	28.60	1647	30.53	1692	32.47	1736	34.44	1779	36.41	1821	38.41	1862	40.42
4200	8190	1462	23.58	1512	25.51	1561	27.44	1608	29.39	1654	31.35	1699	33.33	1743	35.33	1785	37.34	1827	39.37	1868	41.42
4300	8385	1469	24.24	1520	26.23	1569	28.21	1616	30.19	1661	32.19	1706	34.21	1749	36.24	1792	38.28	1833	40.35	1874	42.43
4400	8580	1477	24.92	1528	26.96	1576	28.98	1623	31.01	1669	33.04										

Model No. 36 RBC

Wheel Diameter 36.5 In.

Outlet Area 2.438 Sq. Ft.

OV	CFM	1		2		3		4		5		6		7		8		9		10	
		RPM	BHP	RPM	BHP	RPM	BHP	RPM	BHP	RPM	BHP	RPM	BHP	RPM	BHP	RPM	BHP	RPM	BHP	RPM	BHP
1000	2438	377	0.60																		
1100	2682	383	0.66	520	1.30																
1200	2926	389	0.73	525	1.43																
1300	3169	396	0.80	528	1.54																
1400	3413	403	0.88	533	1.67	641	2.50														
1500	3657	410	0.96	538	1.79	643	2.68														
1600	3901	417	1.05	544	1.92	647	2.85	739	3.81												
1700	4145	424	1.15	550	2.06	652	3.03	742	4.05												
1800	4388	432	1.26	557	2.21	657	3.22	745	4.28	827	5.36										
1900	4632	441	1.37	564	2.36	663	3.42	750	4.52	830	5.65	901	6.75								
2000	4876	450	1.49	571	2.52	669	3.62	754	4.76	833	5.94	907	7.15								
2100	5120	459	1.63	578	2.69	675	3.83	760	5.02	837	6.24	909	7.49	976	8.73						
2200	5364	469	1.77	585	2.87	682	4.05	765	5.28	842	6.55	913	7.85	980	9.17	1041	10.42				
2300	5607	478	1.92	592	3.05	689	4.28	771	5.54	847	6.86	917	8.20	983	9.57	1047	10.96				
2400	5851	489	2.08	600	3.25	696	4.51	778	5.82	852	7.18	921	8.57	987	9.98	1049	11.42	1108	12.85		
2500	6095	499	2.25	608	3.46	703	4.76	785	6.11	858	7.51	926	8.94	991	10.40	1053	11.89	1112	13.39	1166	14.84
2600	6339	510	2.43	616	3.68	710	5.01	792	6.41	864	7.85	932	9.32	996	10.83	1056	12.36	1115	13.91	1171	15.48
2700	6583	520	2.62	625	3.91	717	5.28	799	6.72	871	8.20	938	9.71	1001	11.26	1061	12.84	1118	14.44	1174	16.06
2800	6826	531	2.82	633	4.15	724	5.56	806	7.04	878	8.56	944	10.12	1006	11.71	1065	13.33	1122	14.98	1177	16.64
2900	7070	542	3.03	642	4.41	731	5.85	813	7.38	885	8.93	950	10.53	1012	12.17	1070	13.83	1127	15.52	1181	17.23
3000	7314	553	3.26	652	4.68	739	6.16	820	7.71	892	9.32	957	10.96	1018	12.63	1076	14.34	1132	16.08	1185	17.83
3100	7558	565	3.50	662	4.97	747	6.48	826	8.06	899	9.72	964	11.40	1024	13.11	1082	14.86	1137	16.64	1190	18.44
3200	7802	576	3.74	671	5.27	756	6.82	834	8.43	906	10.13	971	11.85	1031	13.61	1088	15.40	1142	17.22	1195	19.06
3300	8045	587	4.01	682	5.58	764	7.16	841	8.82	913	10.55	978	12.32	1037	14.11	1094	15.94	1148	17.80	1200	19.69
3400	8289	599	4.28	692	5.90	773	7.52	849	9.22	919	10.98	985	12.80	1044	14.63	1101	16.50	1154	18.41	1206	20.34
3500	8533	611	4.57	702	6.24	782	7.90	857	9.63	926	11.42	992	13.29	1051	15.17	1107	17.08	1160	19.02	1211	21.00
3600	8777	623	4.88	713	6.59	791	8.30	865	10.06	934	11.89	999	13.79	1059	15.72	1114	17.67	1167	19.66	1218	21.67
3700	9021	634	5.20	723	6.95	801	8.71	873	10.52	941	12.37	1006	14.30	1066	16.29	1121	18.28	1174	20.30	1224	22.36
3800	9264	646	5.54	734	7.33	811	9.14	882	10.98	949	12.87	1012	14.83	1073	16.87	1128	18.90	1180	20.96	1230	23.06
3900	9508	659	5.89	745	7.73	820	9.59	890	11.46	957	13.39	1019	15.38	1080	17.45	1135	19.54	1187	21.64	1237	23.77
4000	9752	671	6.26	756	8.14	830	10.05	899	11.96	965	13.93	1027	15.95	1086	18.05	1143	20.19	1194	22.33	1244	24.51
4100	9996	683	6.64	767	8.57	841	10.53	908	12.47	973	14.49	1034	16.54	1093	18.66	1150	20.86	1202	23.05	1251	25.26
4200	10240	695	7.05	778	9.02	851	11.03	918	13.01	982	15.06	1042	17.15	1100	19.30	1156	21.52	1209	23.78	1258	26.03
4300	10483	708	7.47	789	9.48	861	11.54	927	13.57	990	15.64	1050	17.78	1108	19.96	1163	22.21	1216	24.52	1265	26.82
4400	10727	720	7.91	800	9.96	872	12.06	937	14.14	999	16.26	1058	18.43	1115	20.65	1170	22.92	1223	25.27	1272	27.62

OV	CFM	11		12		13		14		15		16		17		18		19		20	
		RPM	BHP	RPM	BHP	RPM	BHP	RPM	BHP	RPM	BHP	RPM	BHP	RPM	BHP	RPM	BHP	RPM	BHP	RPM	BHP
2600	6339	1222	16.96																		
2700	6583	1227	17.69	1275	19.19																
2800	6826	1230	18.32	1281	20.01	1326	21.54														
2900	7070	1233	18.96	1284	20.71	1333	22.45	1376	24.02												
3000	7314	1237	19.61	1287	21.41	1336	23.21	1383	25.00	1424	26.62										
3100	7558	1241	20.27	1290	22.11	1339	23.97	1386	25.83	1431	27.67	1471	29.35								
3200	7802	1245	20.93	1294	22.82	1342	24.73	1389	26.65	1434	28.57	1478	30.46	1517	32.20						
3300	8045	1250	21.61	1299	23.54	1346	25.49	1392	27.46	1437	29.44	1481	31.43	1523	33.38	1561	35.16				
3400	8289	1255	22.29	1303	24.27	1350	26.27	1396	28.29	1440	30.32	1484	32.36	1527	34.41	1568	36.42	1605	38.26		
3500	8533	1261	23.00	1308	25.02	1355	27.06	1400	29.12	1444	31.20	1487	33.29	1530	35.39	1571	37.50	1611	39.59	1647	41.49
3600	8777	1266	23.71	1314	25.78	1360	27.86	1404	29.97	1448	32.09	1491	34.23	1533	36.38	1574	38.55	1614	40.72	1654	42.89
3700	9021	1272	24.44	1319	26.55	1365	28.68	1409	30.83	1453	33.00	1495	35.18	1536	37.38	1577	39.60	1617	41.82	1656	44.05
3800	9264	1278	25.18	1325	27.33	1370	29.50	1414	31.70	1457	33.91	1499	36.14	1540	38.39	1581	40.65	1620	42.92	1659	45.20
3900	9508	1285	25.94	1331	28.13	1376	30.34	1420	32.58	1462	34.84	1504	37.12	1545	39.41	1585	41.72	1624	44.04	1662	46.37
4000	9752	1291	26.71	1337	28.95	1382	31.20	1425	33.48	1467	35.78	1509	38.11	1549	40.44	1589	42.80	1628	45.17	1666	47.55
4100	9996	1298	27.51	1344	29.78	1388	32.08	1431	34.40	1473	36.74	1514	39.11	1554	41.49	1593	43.89	1632	46.30	1670	48.73
4200	10240	1305	28.32	1350	30.63	1394	32.97	1437	35.33	1479	37.72	1519	40.13	1559	42.55	1598	45.00	1636	47.46	1674	49.93
4300	10483	1312	29.14	1357	31.49	1401	33.87	1443	36.28	1485	38.71	1525	41.15	1564	43.62	1603	46.11	1641	48.62	1678	51.14
4400	10727	1319	29.99	1364	32.38	1407	34.80	1449	37.24	1491	39.71	1531	42.21	1570	44.72	1608	47.25	1646	49.80	1683	52.36

Performance shown is for installation type B&D - Free or ducted inlet, Ducted outlet.  
 Power rating (BHP) does not include drive losses.  
 Performance ratings do not include the effects of appurtenances in the airstream.



Model No. 40 RBC

Wheel Diameter 40 In.

Outlet Area 2.87 Sq. Ft.

OV	CFM	1		2		3		4		5		6		7		8		9		10	
		RPM	BHP	RPM	BHP	RPM	BHP	RPM	BHP	RPM	BHP	RPM	BHP	RPM	BHP	RPM	BHP	RPM	BHP	RPM	BHP
1000	2870	343	0.70																		
1100	3157	348	0.77																		
1200	3444	354	0.85	478	1.68																
1300	3731	360	0.94	481	1.82																
1400	4018	366	1.03	485	1.96	583	2.94														
1500	4305	372	1.13	489	2.11	586	3.15														
1600	4592	378	1.23	495	2.26	589	3.36	672	4.47												
1700	4879	385	1.34	500	2.42	593	3.57	676	4.76												
1800	5166	392	1.46	506	2.59	598	3.79	679	5.04	752	6.29										
1900	5453	399	1.60	512	2.77	603	4.01	683	5.32	756	6.66										
2000	5740	407	1.74	519	2.95	608	4.25	687	5.60	759	7.00	826	8.41								
2100	6027	415	1.89	525	3.15	614	4.49	691	5.90	762	7.35	829	8.83	888	10.25						
2200	6314	424	2.05	531	3.35	620	4.75	696	6.20	766	7.70	832	9.24	893	10.80						
2300	6601	432	2.22	537	3.56	626	5.01	701	6.51	770	8.06	835	9.65	896	11.27	953	12.88				
2400	6888	442	2.40	544	3.79	632	5.28	707	6.83	775	8.44	839	10.08	899	11.75	956	13.45	1008	15.07		
2500	7175	451	2.60	551	4.03	639	5.57	713	7.17	780	8.82	843	10.51	902	12.24	959	14.00	1013	15.77	1061	17.41
2600	7462	460	2.80	558	4.28	645	5.87	719	7.51	786	9.21	848	10.96	906	12.74	962	14.55	1016	16.39	1067	18.23
2700	7749	469	3.02	566	4.55	651	6.17	725	7.87	791	9.62	853	11.41	911	13.25	966	15.11	1019	17.00	1069	18.91
2800	8036	479	3.25	573	4.83	657	6.49	732	8.24	797	10.04	858	11.88	915	13.76	970	15.68	1022	17.63	1072	19.60
2900	8323	489	3.49	581	5.12	664	6.82	738	8.63	803	10.47	864	12.36	920	14.29	974	16.26	1026	18.26	1075	20.29
3000	8610	499	3.75	590	5.43	670	7.17	744	9.02	810	10.92	869	12.85	926	14.84	979	16.86	1030	18.91	1079	20.99
3100	8897	509	4.02	598	5.75	677	7.54	750	9.42	816	11.38	875	13.36	931	15.39	984	17.46	1034	19.57	1083	21.70
3200	9184	519	4.31	607	6.10	685	7.93	756	9.84	823	11.85	882	13.89	937	15.96	989	18.08	1039	20.24	1087	22.42
3300	9471	529	4.60	616	6.45	692	8.33	763	10.28	829	12.34	888	14.43	943	16.55	995	18.72	1044	20.92	1092	23.16
3400	9758	540	4.92	625	6.82	700	8.74	770	10.74	835	12.83	894	14.98	949	17.15	1000	19.37	1049	21.62	1097	23.90
3500	10045	550	5.25	634	7.21	708	9.17	777	11.22	841	13.35	901	15.55	955	17.77	1006	20.03	1055	22.33	1102	24.67
3600	10332	560	5.60	643	7.62	716	9.63	784	11.72	847	13.88	907	16.14	961	18.41	1012	20.72	1061	23.06	1107	25.45
3700	10619	571	5.96	653	8.03	724	10.10	791	12.23	854	14.43	913	16.73	968	19.06	1018	21.41	1066	23.81	1113	26.24
3800	10906	582	6.34	662	8.46	733	10.59	799	12.76	860	15.01	919	17.33	974	19.73	1025	22.13	1072	24.58	1118	27.05
3900	11193	592	6.74	672	8.91	742	11.10	806	13.31	867	15.60	925	17.96	981	20.42	1031	22.87	1079	25.36	1124	27.89
4000	11480	603	7.16	681	9.38	751	11.63	814	13.88	874	16.22	932	18.61	987	21.10	1037	23.62	1085	26.16	1130	28.74
4100	11767	614	7.60	691	9.87	760	12.18	822	14.47	882	16.85	938	19.29	992	21.81	1044	24.40	1091	26.98	1136	29.60
4200	12054	625	8.06	701	10.38	769	12.74	830	15.09	889	17.51	945	19.99	999	22.54	1050	25.18	1098	27.82	1142	30.49
4300	12341	636	8.54	711	10.91	778	13.33	839	15.72	897	18.19	952	20.71	1005	23.30	1056	25.97	1104	28.69	1149	31.40
4400	12628	647	9.04	721	11.46	787	13.94	847	16.38	904	18.88	959	21.45	1012	24.08	1062	26.79	1111	29.57	1155	32.33

OV	CFM	11		12		13		14		15		16		17		18		19		20	
		RPM	BHP	RPM	BHP	RPM	BHP	RPM	BHP	RPM	BHP	RPM	BHP	RPM	BHP	RPM	BHP	RPM	BHP	RPM	BHP
2700	7749	1118	20.79																		
2800	8036	1121	21.58	1166	23.49																
2900	8323	1124	22.33	1170	24.39	1213	26.34														
3000	8610	1127	23.09	1173	25.21	1218	27.34	1258	29.32												
3100	8897	1130	23.86	1176	26.03	1220	28.22	1263	30.43	1302	32.46										
3200	9184	1134	24.63	1179	26.86	1223	29.12	1266	31.38	1307	33.66	1345	35.73								
3300	9471	1138	25.42	1182	27.71	1226	30.01	1268	32.34	1310	34.68	1350	37.02	1386	39.16						
3400	9758	1142	26.22	1186	28.56	1229	30.92	1271	33.30	1312	35.70	1352	38.11	1392	40.53	1427	42.72				
3500	10045	1147	27.03	1191	29.43	1233	31.84	1275	34.28	1315	36.74	1355	39.20	1394	41.69	1432	44.18	1466	46.44		
3600	10332	1152	27.86	1195	30.31	1238	32.78	1279	35.27	1319	37.78	1358	40.31	1397	42.85	1434	45.40	1471	47.96	1505	50.30
3700	10619	1157	28.71	1200	31.20	1242	33.72	1283	36.27	1322	38.83	1361	41.42	1400	44.02	1437	46.63	1474	49.25	1510	51.88
3800	10906	1162	29.57	1205	32.11	1247	34.68	1287	37.28	1326	39.90	1365	42.54	1403	45.19	1440	47.87	1476	50.55	1512	53.24
3900	11193	1168	30.45	1210	33.04	1252	35.66	1292	38.31	1331	40.98	1369	43.67	1406	46.39	1443	49.11	1479	51.86	1515	54.61
4000	11480	1174	31.34	1216	33.99	1257	36.66	1296	39.36	1335	42.08	1373	44.82	1410	47.59	1447	50.37	1482	53.17	1518	55.98
4100	11767	1179	32.26	1221	34.95	1262	37.67	1301	40.42	1340	43.19	1378	45.99	1414	48.81	1451	51.64	1486	54.50	1521	57.37
4200	12054	1186	33.20	1227	35.93	1267	38.70	1307	41.50	1345	44.32	1382	47.17	1419	50.04	1455	52.93	1490	55.84	1524	58.77
4300	12341	1192	34.15	1233	36.94	1273	39.75	1312	42.60	1350	45.47	1387	48.37	1423	51.29	1459	54.23	1494	57.20	1528	60.18
4400	12628	1198	35.13	1239	37.96	1279	40.83	1318	43.72	1355	46.64	1392	49.59	1428	52.56	1464	55.55	1498	58.57	1532	61.60

Performance shown is for installation type B&D - Free or ducted inlet, Ducted outlet.  
 Power rating (BHP) does not include drive losses.  
 Performance ratings do not include the effects of appurtenances in the airstream.

Model No. 45 RBC

Wheel Diameter 41.125 In.

Outlet Area 3.63 Sq. Ft.

OV	CFM	1		2		3		4		5		6		7		8		9		10	
		RPM	BHP	RPM	BHP	RPM	BHP	RPM	BHP	RPM	BHP	RPM	BHP	RPM	BHP	RPM	BHP	RPM	BHP	RPM	BHP
1000	3630	304	0.89																		
1100	3993	308	0.98																		
1200	4356	313	1.08	424	2.13																
1300	4719	318	1.19	426	2.30																
1400	5082	324	1.30	429	2.48	516	3.71														
1500	5445	329	1.42	433	2.66	520	3.99														
1600	5808	335	1.55	438	2.86	522	4.25	595	5.64												
1700	6171	340	1.69	443	3.06	525	4.51	599	6.03												
1800	6534	347	1.85	448	3.27	529	4.79	602	6.37	666	7.94										
1900	6897	353	2.01	453	3.49	534	5.07	605	6.73	670	8.42										
2000	7260	360	2.19	459	3.73	538	5.37	608	7.09	672	8.85	731	10.62								
2100	7623	367	2.37	465	3.97	543	5.68	612	7.45	675	9.29	734	11.16	787	12.94						
2200	7986	375	2.58	470	4.23	548	5.99	616	7.84	679	9.74	737	11.68	792	13.66						
2300	8349	382	2.79	475	4.49	554	6.33	621	8.23	682	10.20	740	12.21	794	14.26	844	16.27				
2400	8712	390	3.03	481	4.78	559	6.67	626	8.63	687	10.66	743	12.75	796	14.87	847	17.02	893	19.05		
2500	9075	398	3.27	487	5.08	565	7.03	631	9.06	691	11.15	747	13.29	799	15.49	850	17.71	898	19.95		
2600	9438	406	3.53	494	5.40	571	7.40	636	9.49	696	11.64	751	13.85	803	16.11	852	18.41	900	20.73	945	23.04
2700	9801	415	3.80	500	5.73	576	7.78	642	9.94	701	12.15	755	14.43	807	16.75	855	19.11	902	21.51	948	23.93
2800	10164	423	4.08	507	6.08	581	8.18	648	10.41	706	12.68	760	15.02	811	17.40	859	19.83	905	22.30	950	24.79
2900	10527	432	4.39	514	6.45	587	8.61	653	10.89	711	13.23	765	15.62	815	18.07	863	20.57	909	23.10	953	25.66
3000	10890	441	4.71	521	6.84	593	9.05	659	11.39	717	13.79	770	16.24	820	18.75	867	21.31	912	23.91	956	26.55
3100	11253	449	5.05	529	7.24	599	9.51	664	11.89	722	14.37	775	16.88	824	19.45	871	22.08	916	24.74	959	27.44
3200	11616	458	5.41	536	7.67	606	9.99	669	12.42	728	14.97	780	17.54	829	20.17	876	22.86	920	25.58	963	28.35
3300	11979	467	5.78	544	8.12	612	10.49	675	12.97	734	15.58	786	18.22	835	20.91	881	23.65	925	26.45	967	29.28
3400	12342	476	6.17	552	8.58	619	11.01	681	13.55	739	16.20	792	18.92	840	21.67	886	24.47	929	27.33	971	30.22
3500	12705	485	6.59	560	9.07	626	11.56	687	14.15	744	16.84	797	19.63	845	22.44	891	25.31	934	28.22	976	31.18
3600	13068	495	7.02	569	9.58	633	12.12	693	14.77	750	17.51	803	20.37	851	23.24	896	26.17	939	29.14	980	32.16
3700	13431	504	7.48	577	10.10	640	12.71	700	15.41	755	18.20	808	21.11	857	24.06	901	27.05	944	30.08	985	33.16
3800	13794	513	7.96	585	10.64	648	13.33	706	16.08	761	18.92	813	21.88	862	24.91	907	27.95	949	31.05	990	34.19
3900	14157	523	8.46	593	11.20	656	13.97	713	16.77	767	19.67	819	22.66	868	25.77	913	28.88	955	32.03	995	35.23
4000	14520	532	8.98	602	11.79	663	14.63	720	17.49	774	20.44	824	23.48	873	26.64	918	29.83	960	33.04	1000	36.30
4100	14883	542	9.53	611	12.40	671	15.32	727	18.23	780	21.24	830	24.33	878	27.53	924	30.80	966	34.07	1006	37.39
4200	15246	552	10.10	619	13.04	679	16.03	734	19.00	786	22.07	836	25.21	884	28.44	930	31.79	971	35.13	1011	38.51
4300	15609	561	10.70	628	13.70	687	16.77	742	19.79	793	22.92	842	26.11	889	29.39	935	32.78	977	36.22	1017	39.65
4400	15972	571	11.33	637	14.39	696	17.53	749	20.62	800	23.79	849	27.04	895	30.37	940	33.81	983	37.32	1022	40.82

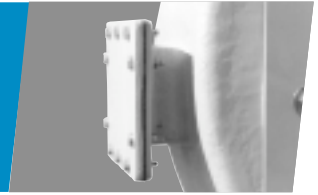
OV	CFM	11		12		13		14		15		16		17		18		19		20	
		RPM	BHP	RPM	BHP	RPM	BHP	RPM	BHP	RPM	BHP	RPM	BHP	RPM	BHP	RPM	BHP	RPM	BHP	RPM	BHP
2700	9801	990	26.27																		
2800	10164	993	27.30	1033	29.68																
2900	10527	995	28.25	1037	30.86	1074	33.27														
3000	10890	998	29.21	1039	31.89	1079	34.59	1114	37.05												
3100	11253	1001	30.17	1042	32.93	1081	35.70	1119	38.49	1153	41.01										
3200	11616	1004	31.15	1044	33.98	1083	36.83	1121	39.70	1158	42.57	1191	45.15								
3300	11979	1008	32.14	1048	35.04	1086	37.96	1124	40.91	1160	43.87	1196	46.81	1228	49.47						
3400	12342	1012	33.15	1051	36.12	1089	39.11	1126	42.13	1163	45.16	1198	48.21	1233	51.24	1263	53.98				
3500	12705	1016	34.18	1055	37.21	1093	40.27	1129	43.36	1165	46.47	1201	49.59	1235	52.73	1269	55.85	1298	58.67		
3600	13068	1020	35.22	1059	38.32	1096	41.45	1133	44.60	1168	47.78	1203	50.98	1237	54.20	1271	57.43	1304	60.65	1333	63.56
3700	13431	1025	36.29	1063	39.45	1100	42.64	1136	45.86	1171	49.11	1206	52.39	1240	55.68	1273	58.98	1306	62.30	1338	65.64
3800	13794	1029	37.37	1067	40.59	1104	43.85	1140	47.14	1175	50.46	1209	53.80	1243	57.16	1276	60.55	1308	63.94	1340	67.35
3900	14157	1034	38.48	1072	41.76	1108	45.08	1144	48.44	1179	51.82	1213	55.23	1246	58.67	1279	62.12	1311	65.59	1342	69.08
4000	14520	1039	39.61	1076	42.95	1113	46.34	1148	49.76	1183	53.20	1216	56.68	1249	60.19	1282	63.71	1313	67.25	1345	70.82
4100	14883	1044	40.76	1081	44.17	1117	47.61	1152	51.09	1187	54.61	1220	58.15	1253	61.72	1285	65.32	1316	68.93	1347	72.56
4200	15246	1049	41.94	1086	45.40	1122	48.91	1157	52.46	1191	56.03	1224	59.64	1257	63.28	1288	66.94	1320	70.62	1350	74.33
4300	15609	1055	43.14	1092	46.67	1127	50.23	1162	53.84	1195	57.48	1228	61.15	1261	64.85	1292	68.58	1323	72.33	1354	76.11
4400	15972	1066	44.37	1097	47.96	1132	51.58	1167	55.25	1200	58.95	1233	62.68	1265	66.45	1296	70.24	1327	74.06	1357	77.91

Performance shown is for installation type B&D - Free or ducted inlet, Ducted outlet.  
 Power rating (BHP) does not include drive losses.  
 Performance ratings do not include the effects of appurtenances in the airstream.

# Accessories

**Raised Bolted Access Door** – made entirely of FRP for easy access to interior of fan housing and wheel. Neoprene gasketing and 316 SST hardware are standard.

**Raised Bolted  
Access Door**



**FRP Stuffing Box** and **Side Plate Gaskets** for low leakage applications.

**Shaft Seals** – standard seal is neoprene with FRP backup plate. Neoprene membrane rides close to FRP sleeve to limit leakage through shaft opening. Other gasket material such as teflon & Vitron are available.

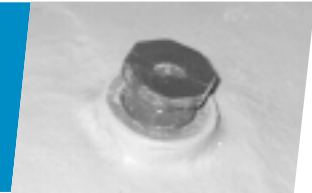
**Shaft Seals**



**Weather Cover** – available for ARR 10 fans, protects shaft, bearings, motors and drives - galvanized steel construction is standard, FRP is available.

**Belt and Shaft Guards** – heavy gauge galvanized steel construction for personnel protection from rotating parts.

**Drain**



**Inlet and Outlet Transitions** – can be provided to meet customer requirements for specific size ducting. Outlet transitions are rectangular to round.

**Drain** – threaded PVC coupling bonded into the lowest point of the fan scroll. Flanged drains are available as an option.

**Graphite Impregnation** – prohibits buildup of static electricity when handling potentially explosive fumes. All interior surfaces are impregnated.

**Abrasia - Clad** – an abrasion resistant formulation providing protection where erosion can be a problem.

**FRP Dampers** – parallel outlet dampers and round control damper, with hand quadrant.

## Replacement Wheels are available

Radial Wheel



Backwardly  
Inclined Wheel



Catalog: RBC 100 October 1996



**COMPOSITE FAN TECHNOLOGY**

REPRESENTATIVE

P.O. Box 630 • Buffalo, NY 14120-0630 • Phone 716/693-6205 • Fax 716/692-7157

Division of Metal-Cladding Inc. Member of ASTM, AMCA and CFA

Serving the air handling needs of industry for over 30 years.