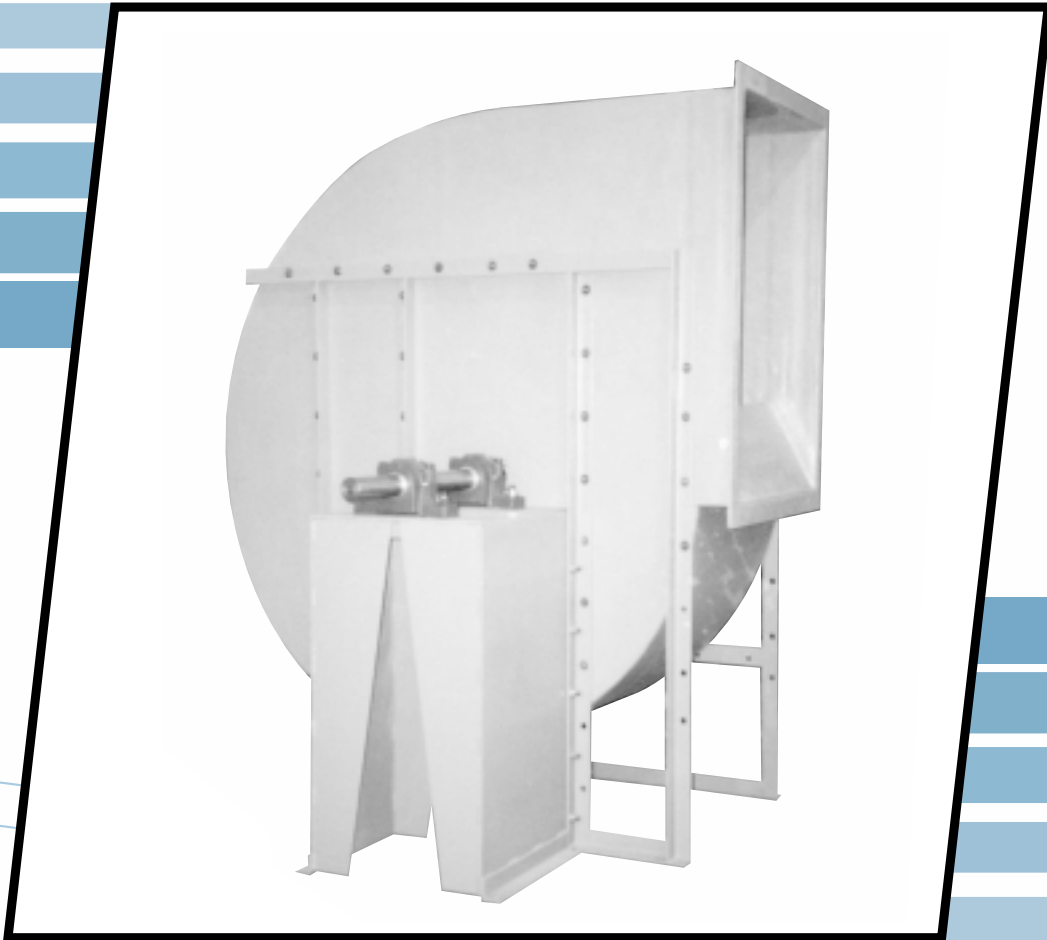




COMPOSITE FAN TECHNOLOGY

BIC *FRP Industrial Fans*



Corrosion Resistant • Rugged Construction

BIC FRP Industrial Fans

The FRP industrial exhauster manufactured by **Composite Fan Technology** (CFT) answers the need for a fan designed to achieve maximum corrosion resistance while offering rugged construction, ease of maintenance and efficient operation. The FRP fan is well recognized for its proven successes in handling a wide range of corrosive applications, notably in the chemical processing, pulp & paper and fertilizer industries as well as waste water treatment plants; or wherever a need for corrosion resistance is a requirement. FRP fans have an excellent history of extended life expectancy and in many cases replace costly exotic metal fans and blowers.



Fiber Reinforced Plastic (FRP), the material of choice for CFT fans is a laminate of corrosion resistant resin combined with fibrous glass or synthetic reinforcement. The corrosion resistance of the resin system in conjunction with the proper selection and placement of structural reinforcement provides a composite with a high strength to weight ratio. Incorporating this technology in fan components provides the structural integrity to withstand forces resulting from rotation. These composite fans are designed to operate in corrosive environments handling both wet and dry fumes from a wide range of acids, alkalies and organic solvents. By selective resin formulation flame resistance is also achieved.

The **Type BIC wheel** is a solid FRP construction, having backwardly inclined blades and designed for capacities to 100,000 CFM and pressures to 10" W.G. Sixteen sizes are standard and wheel diameters range from 12-1/4" to 66". Backward inclined blades provide a non-overloading feature which can serve to prevent overloading the fan motor should system conditions change.

ARR 1, 9 and 10 are available. Where motor frame sizes are too large for the bearing base, structural channel bases with a motor slide base can be supplied.



Arrangement Number 1

CFT – Construction

All CFT fans are fabricated with FRP for a variety of uses in corrosive environments. Either a radial bladed wheel (Type RBC) or a backwardly inclined bladed wheel (Type BIC) is used to move the air. In both cases blades are attached to a tapered flange and solid backplate. An encapsulated steel hub is attached to the wheel. The shaft portion in the air stream is protected with a FRP shaft sleeve that extends through the housing wall.

The wheel is statically and dynamically balanced to insure smooth operation. Safe operating speeds are established to agree with ASTM Standard D4167-91, although environmental conditions sometime may alter performance.

Unless the wheel is designed to resist erosion or static electricity the wheel is fabricated with clear (non pigmented) laminate.

All exterior steel including the bearing support base are gritblasted, primed and coated with a corrosion resistant paint system, custom paint systems are available as an option. All imbedded hardware is type 316 stainless steel.

Drilled inlet and outlet flanges are standard.

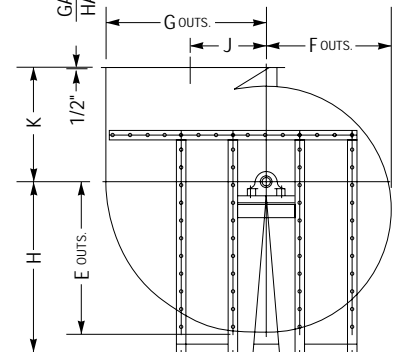
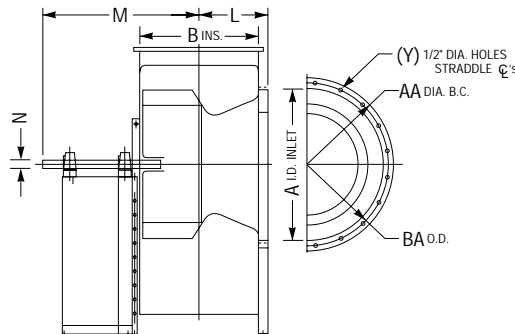
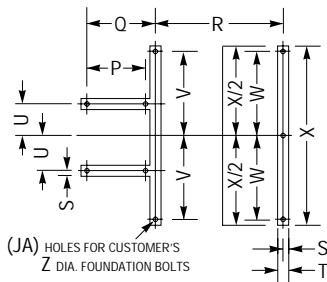
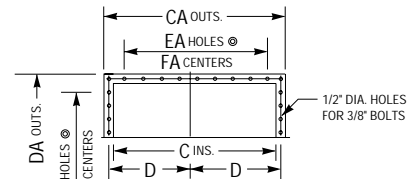
Housings are manufactured from solid FRP with smooth molded interior surfaces for optimum aerodynamic performance.

BIC Dimensional Data

	A	B	C	D	E	F	G	H	J	K	L	M	N DES.1
12BIC	12 1/4	9 5/16	13 3/4	8 3/8	12 5/16	10 1/16	13 1/8	16 7/8	6 1/8	11	8 1/4	23 7/8	1 3/16
13BIC	13 1/2	10 1/4	15 1/4	9 1/8	13 9/16	11 3/32	14 3/8	18 1/4	6 3/4	11 3/8	8 3/4	24 1/2	1 3/16
15BIC	15	11 7/16	16 3/4	9 7/8	15 3/16	12 3/8	16 1/8	19 1/2	7 9/16	12 1/2	9 5/16	25 7/8	1 3/16
18BIC	18 1/4	13 7/8	20 3/8	11 11/16	18 7/16	15 1/8	19 5/8	22 1/2	9 3/16	14	10 1/2	30 1/2	1 7/16
22BIC	22 1/4	17	25 1/8	14 1/16	22 1/2	18 3/8	23 7/8	27 1/2	11 1/16	17 1/8	12 1/8	34 3/4	1 7/16
24BIC	24 1/2	18 5/8	27 1/2	15 1/4	24 3/4	20 5/16	26 5/16	30	12 1/4	18 7/8	12 15/16	35 11/16	1 7/16
27BIC	27	20 1/2	30 3/8	16 11/16	27 1/4	22 3/16	28 15/16	32	13 1/2	20 3/4	13 7/8	40	1 11/16
30BIC	30	22 7/8	33 7/8	18 9/16	30 5/16	24 3/4	32 1/8	36	14 15/16	23 1/8	15 1/8	41 1/4	1 15/16
33BIC	33	25 1/4	37 5/16	20 9/32	33 5/16	27 3/16	35 3/8	38 1/2	16 13/32	27 3/8	16 5/16	42 15/16	1 15/16
37BIC	36 1/2	27 13/16	41 1/4	22 1/4	36 13/16	29 15/16	39 1/8	43	18 3/16	29	17 19/32	44 23/32	1 15/16
40BIC	40 1/4	30 9/16	45 1/4	24 1/4	40 5/8	33 1/16	43 1/8	47 1/4	20 1/8	30 15/16	20 1/32	46 15/32	2 3/16
45BIC	44 1/2	33 3/4	50 1/4	26 3/4	44 7/8	36 11/16	47 5/8	50 1/2	22 1/8	35 1/4	21 5/8	48 1/2	2 7/16
49BIC	49	37 1/4	55	29 3/8	49 3/8	40 1/4	52 11/16	56	24 9/16	37 3/4	23 3/8	51 5/8	2 11/16
54BIC	54 1/4	41 3/8	61	32 3/8	54 3/4	44 3/4	58 1/4	62	27 1/8	41 3/4	25 9/16	56 1/16	2 15/16
60BIC	60	45 3/4	67 3/8	35 9/16	60 1/2	49 3/8	64 1/2	68 1/2	30 1/16	46 1/8	27 3/4	60 9/16	3 3/16
66BIC	66	50 1/2	74	38 7/8	66 1/2	54 3/8	71	75	33 1/16	50 3/4	30 1/8	68 1/16	3 7/16

	N DES.2	P	Q	R	S	T	U	V	W	X	Y	Z	AA
12BIC	1 7/16	-	10 7/8	14 1/2	3/4	2	7 1/4	7 1/4	7 1/4	16	8	1/2	15
13BIC	1 7/16	-	11 11/16	15 1/8	3/4	2	7 1/4	7 1/4	7 1/4	16	8	1/2	16 1/4
15BIC	1 7/16	-	11 7/8	16 5/8	3/4	2	7 1/4	7 1/4	7 1/4	16	8	1/2	17 3/4
18BIC	1 11/16	-	13 1/2	18 3/4	3/4	2	9 1/4	9 1/4	9 1/4	20	8	1/2	21
22BIC	1 11/16	-	16 1/8	22	3/4	2	9 1/4	9 1/4	9 1/4	20	16	1/2	25
24BIC	1 15/16	-	16 1/8	23 5/8	3/4	2	11 1/4	11 1/4	11 1/4	24	16	1/2	27 1/4
27BIC	1 15/16	-	19 5/8	25 1/2	3/4	2	11 1/4	11 1/4	11 1/4	24	16	5/8	29 3/4
30BIC	2 3/16	19 1/8	21 1/4	26 1/2	1	2 1/2	11 1/2	19 1/2	19 1/2	41	16	5/8	32 3/4
33BIC	2 7/16	19 1/8	21 1/4	28 7/8	1	2 1/2	11 1/2	20 3/4	20 3/4	43 1/2	24	5/8	35 3/4
37BIC	2 7/16	19 1/8	21 1/4	31 1/2	1	2 1/2	11 1/2	22 1/2	22 1/2	47	24	5/8	39 1/4
40BIC	2 7/16	19 3/16	21 5/16	34 1/2	1	2 1/2	12 1/2	24 1/2	24 1/2	51 1/4	32	5/8	43
45BIC	2 11/16	21	23 1/8	37 1/2	1	2 1/2	13 1/2	26 3/4	26 3/4	55 1/2	32	5/8	47 1/4
49BIC	2 15/16	21	23 1/8	41	1	2 1/2	13 1/2	29	29	60	32	5/8	51 3/4
54BIC	3 3/16	22 1/4	24 5/8	45 7/8	1 1/4	3	14 1/2	31 3/4	31 3/4	66	48	3/4	57
60BIC	3 3/16	23 13/16	26 7/16	50 3/4	1 1/2	3 1/2	14 3/4	35	35	73	48	3/4	62 3/4
66BIC	3 15/16	28 11/16	31 5/16	55 1/2	1 1/2	3 1/2	15	38	38	79	48	3/4	68 3/4

	BA	CA	DA	EA	FA	GA	HA	JA
12BIC	17 1/4	18 7/8	14 5/16	4	5	3	5	6
13BIC	18 1/2	20 1/4	15 1/4	4	5	3	5	6
15BIC	20	21 3/4	16 7/16	4	5	3	5	6
18BIC	23 1/4	25 3/8	18 7/8	4	5	4	5	6
22BIC	27 1/4	30 1/8	22	5	5	4	5	6
24BIC	29 1/2	32 1/2	23 5/8	6	5	5	5	6
27BIC	32	35 3/8	25 1/4	7	5	5	5	6
30BIC	35	38 7/8	27 7/8	8	5	6	5	9
33BIC	38	42 5/16	30 1/4	8	5	6	5	9
37BIC	41 1/2	46 1/4	32 13/16	9	5	6	5	9
40BIC	45 1/4	50 1/4	35 9/16	10	5	7	5	9
45BIC	49 1/2	55 1/4	38 3/4	11	5	7	5	9
49BIC	54	60 1/2	42 3/4	11	5	9	5	9
54BIC	59 1/4	66 1/2	46 7/8	13	5	9	5	9
60BIC	65	72 7/8	51 3/4	15	5	9	5	9
66BIC	71	79 1/2	56	15	5	11	5	9


Foundation Plan



Model No. BIC 12

Wheel Diameter 12.25 In.

Outlet Area .8892 Sq. Ft.

OV	CFM	0		.5		1		1.5		2		2.5		3		3.5		4		4.5	
		RPM	BHP	RPM	BHP	RPM	BHP	RPM	BHP	RPM	BHP	RPM	BHP	RPM	BHP	RPM	BHP	RPM	BHP	RPM	BHP
1000	889	1144	.08	1525	0.17	1808	0.29	2048	0.41	2268	0.56	2476	0.72	2671	0.88	2855	1.06	3032	1.25	3199	1.45
1100	978	1258	0.11	1619	0.20	1888	0.33	2120	0.46	2328	0.61	2526	0.77	2714	0.94	2893	1.13	3063	1.32	3227	1.53
1200	1067	1372	0.13	1715	0.24	1971	0.37	2196	0.51	2397	0.66	2585	0.83	2765	1.01	2937	1.20	3102	1.40	3261	1.60
1300	1156	1487	0.16	1812	0.28	2056	0.42	2275	0.57	2470	0.73	2651	0.90	2822	1.08	2988	1.27	3148	1.48	3303	1.69
1400	1245	1601	0.20	1908	0.33	2144	0.48	2356	0.64	2547	0.80	2722	0.97	2887	1.16	3046	1.36	3200	1.57	3350	1.78
1500	1334	1716	0.25	2000	0.38	2237	0.54	2440	0.71	2626	0.88	2797	1.06	2957	1.25	3110	1.45	3258	1.66	3403	1.88
1600	1423	1830	0.30	2093	0.44	2333	0.61	2525	0.78	2707	0.96	2874	1.15	3032	1.35	3180	1.55	3323	1.77	3461	1.99
1700	1512	1945	0.36	2189	0.51	2429	0.69	2613	0.87	2791	1.06	2954	1.25	3108	1.45	3253	1.66	3392	1.88	3526	2.11
1800	1601	2059	0.43	2288	0.58	2526	0.77	2704	0.96	2875	1.15	3036	1.36	3186	1.57	3329	1.78	3465	2.01	3596	2.24
1900	1689	2173	0.50	2387	0.66	2621	0.86	2799	1.06	2960	1.26	3119	1.47	3266	1.69	3406	1.91	3540	2.14	3668	2.38
2000	1778	2287	0.57	2489	0.75	2716	0.96	2895	1.17	3049	1.38	3203	1.60	3349	1.82	3486	2.05	3617	2.29	3743	2.53
2100	1867	2402	0.66	2592	0.84	2808	1.06	2992	1.28	3142	1.50	3289	1.73	3432	1.96	3567	2.20	3696	2.45	3819	2.70
2200	1956	2516	0.73	2697	0.95	2901	1.18	3088	1.41	3238	1.64	3377	1.87	3516	2.11	3650	2.36	3777	2.61	3898	2.87
2300	2045	2630	0.83	2803	1.06	2995	1.30	3185	1.54	3335	1.78	3468	2.02	3602	2.27	3734	2.53	3859	2.79	3979	3.05
2400	2134	2745	0.94	2910	1.18	3091	1.43	3281	1.68	3431	1.94	3564	2.19	3690	2.44	3818	2.70	3943	2.98	4061	3.25
2500	2223	2859	1.07	3017	1.31	3189	1.57	3373	1.84	3527	2.10	3660	2.36	3780	2.62	3905	2.89	4026	3.17	4144	3.46
2600	2312	2974	1.21	3126	1.46	3289	1.73	3465	2.00	3624	2.27	3756	2.55	3876	2.82	3993	3.09	4112	3.38	4227	3.67
2700	2401	3088	1.37	3234	1.61	3389	1.89	3558	2.17	3721	2.46	3852	2.74	3972	3.02	4083	3.30	4199	3.59	4312	3.89
2800	2490	3203	1.54	3343	1.78	3491	2.06	3653	2.35	3817	2.65	3949	2.95	4068	3.24	4179	3.53	4287	3.82	4398	4.13
2900	2579	3317	1.83	3453	1.95	3594	2.25	3749	2.55	3907	2.85	4045	3.16	4165	3.47	4275	3.77	4378	4.07	4485	4.38
3000	2668	3432	2.04	3562	2.14	3699	2.44	3846	2.76	3999	3.07	4142	3.39	4261	3.71	4371	4.02	4474	4.33	4575	4.64
3100	2757	3546	2.25	3673	2.34	3804	2.65	3944	2.98	4092	3.30	4238	3.63	4358	3.96	4467	4.28	4570	4.61	4667	4.92
3200	2845	3660	2.47	3782	2.55	3908	2.87	4043	3.21	4186	3.54	4329	3.88	4453	4.22	4563	4.55	4665	4.89	4762	5.22
3300	2934	3774	2.70	3892	2.78	4014	3.11	4143	3.45	4281	3.80	4421	4.14	4550	4.49	4659	4.84	4761	5.19	4858	5.53
3400	3023	3888	2.93	4003	3.02	4121	3.35	4245	3.71	4377	4.07	4513	4.42	4646	4.78	4756	5.14	4858	5.50	4954	5.85
3500	3112	4003	3.20	4114	3.28	4229	3.62	4348	3.98	4475	4.35	4607	4.71	4738	5.08	4852	5.45	4954	5.82		
3600	3201	4117	3.45	4226	3.55	4337	3.90	4452	4.26	4574	4.65	4701	5.02	4829	5.40	4949	5.78				
3700	3290	4232	3.71	4337	3.83	4445	4.19	4556	4.56	4674	4.96	4797	5.34	4921	5.73						
3800	3379	4346	4.02	4449	4.13	4554	4.50	4661	4.88	4774	5.28	4893	5.68								
3900	3468	4461	4.23	4560	4.44	4662	4.82	4767	5.21	4876	5.62	4991	6.03								
4000	3557	4575	4.53	4672	4.78	4772	5.16	4873	5.56	4978	5.97										

OV	CFM	5		5.5		6		6.5		7		7.5		8		8.5		9		10	
		RPM	BHP	RPM	BHP	RPM	BHP	RPM	BHP	RPM	BHP	RPM	BHP	RPM	BHP	RPM	BHP	RPM	BHP	RPM	BHP
1000	889	3358	1.66	3513	1.88	3661	2.10	3803	2.33	3941	2.57	4076	2.82	4206	3.07	4333	3.33	4455	3.60	4692	4.15
1100	978	3385	1.74	3535	1.96	3680	2.19	3821	2.43	3958	2.67	4090	2.92	4217	3.18	4343	3.44	4465	3.71	4701	4.27
1200	1067	3414	1.82	3563	2.05	3706	2.28	3844	2.52	3977	2.77	4108	3.03	4236	3.29	4359	3.56	4479	3.83	4711	4.40
1300	1156	3451	1.91	3596	2.14	3735	2.38	3872	2.63	4004	2.88	4132	3.14	4256	3.40	4378	3.68	4498	3.96	4728	4.54
1400	1245	3495	2.01	3635	2.24	3771	2.49	3904	2.74	4033	2.99	4160	3.26	4284	3.53	4404	3.81	4520	4.09	4747	4.68
1500	1334	3543	2.12	3680	2.35	3813	2.60	3943	2.86	4069	3.12	4192	3.39	4313	3.66	4432	3.95	4548	4.24	4771	4.83
1600	1423	3597	2.23	3730	2.47	3860	2.73	3986	2.98	4110	3.25	4230	3.52	4348	3.80	4464	4.09	4577	4.38	4799	4.99
1700	1512	3657	2.35	3785	2.60	3912	2.86	4035	3.12	4155	3.39	4273	3.67	4389	3.95	4502	4.25	4613	4.54	4830	5.16
1800	1601	3722	2.48	3846	2.74	3968	3.00	4088	3.27	4206	3.54	4321	3.83	4434	4.12	4545	4.41	4654	4.71	4866	5.34
1900	1689	3791	2.63	3912	2.88	4029	3.15	4145	3.42	4260	3.70	4373	3.99	4483	4.29	4591	4.59	4698	4.89	4906	5.52
2000	1778	3864	2.79	3982	3.05	4096	3.31	4209	3.59	4319	3.87	4429	4.16	4537	4.47	4643	4.77	4747	5.08	4951	5.72
2100	1867	3940	2.95	4055	3.22	4167	3.49	4276	3.77	4384	4.06	4490	4.35	4594	4.65	4698	4.97	4800	5.29	5000	5.94
2200	1956	4016	3.13	4130	3.40	4240	3.68	4347	3.96	4452	4.26	4555	4.55	4657	4.86	4758	5.17	4857	5.49		
2300	2045	4094	3.32	4206	3.60	4315	3.88	4421	4.17	4523	4.47	4624	4.77	4724	5.08	4822	5.40	4918	5.72		
2400	2134	4174	3.53	4284	3.81	4391	4.10	4496	4.39	4597	4.69	4696	5.00	4794	5.31	4889	5.63	4984	5.96		
2500	2223	4256	3.74	4364	4.03	4469	4.32	4572	4.63	4673	4.93	4771	5.25	4866	5.56	4960	5.89				
2600	2312	4339	3.97	4445	4.26	4549	4.56	4650	4.87	4749	5.18	4846	5.50	4941	5.83						
2700	2401	4422	4.20	4528	4.51	4630	4.82	4730	5.13	4827	5.45	4923	5.77								
2800	2490	4506	4.44	4612	4.76	4713	5.08	4811	5.40	4907	5.73	5001	6.06								
2900	2579	4591	4.70	4695	5.03	4797	5.36	4894	5.69	4988	6.02										
3000	2668	4678	4.97	4780	5.30	4880	5.64	4977	5.99												
3100	2757	4766	5.26	4866	5.59	4964	5.94														
3200	2845	4855	5.55	4953	5.90																
3300	2934	4949	5.87																		

Performance shown is for installation type B&D - Free or ducted inlet, Ducted outlet.
 Power rating (BHP) does not include drive losses.
 Performance ratings do not include the effects of appurtenances in the airstream.

Model No. BIC 13

Wheel Diameter 13.5 In.

Outlet Area 1.0921 Sq. Ft.

OV	CFM	0		.5		1		1.5		2		2.5		3		3.5		4		4.5	
		RPM	BHP	RPM	BHP	RPM	BHP	RPM	BHP	RPM	BHP	RPM	BHP	RPM	BHP	RPM	BHP	RPM	BHP	RPM	BHP
1000	1092	1049	0.09	1393	0.21	1649	0.35	1866	0.51	2064	0.68	2251	0.88	2427	1.08	2594	1.30	2754	1.53	2906	1.78
1100	1201	1154	0.13	1480	0.25	1723	0.40	1932	0.57	2120	0.75	2298	0.94	2468	1.16	2629	1.38	2784	1.62	2931	1.86
1200	1311	1260	0.16	1569	0.30	1799	0.46	2002	0.63	2184	0.82	2353	1.02	2516	1.24	2671	1.47	2821	1.71	2964	1.96
1300	1420	1365	0.20	1657	0.35	1877	0.52	2075	0.70	2252	0.90	2414	1.10	2569	1.32	2719	1.56	2864	1.81	3003	2.07
1400	1529	1469	0.25	1744	0.41	1958	0.59	2150	0.78	2322	0.99	2481	1.20	2630	1.42	2773	1.66	2912	1.92	3047	2.19
1500	1638	1574	0.32	1828	0.48	2044	0.67	2226	0.87	2395	1.08	2550	1.30	2695	1.54	2832	1.78	2966	2.04	3096	2.31
1600	1747	1679	0.38	1914	0.55	2132	0.76	2305	0.97	2470	1.19	2621	1.42	2763	1.66	2897	1.91	3026	2.17	3151	2.44
1700	1857	1785	0.45	2003	0.63	2221	0.85	2386	1.07	2547	1.30	2695	1.54	2833	1.79	2965	2.05	3090	2.32	3211	2.59
1800	1966	1889	0.54	2094	0.72	2310	0.96	2471	1.19	2624	1.43	2770	1.68	2906	1.93	3035	2.20	3158	2.47	3276	2.76
1900	2075	1994	0.62	2186	0.82	2398	1.07	2559	1.31	2704	1.56	2847	1.82	2980	2.09	3106	2.36	3227	2.64	3343	2.93
2000	2184	2099	0.72	2280	0.93	2484	1.19	2647	1.45	2785	1.70	2924	1.97	3056	2.25	3180	2.53	3298	2.82	3412	3.12
2100	2293	2204	0.83	2375	1.05	2567	1.32	2735	1.59	2872	1.86	3003	2.14	3132	2.43	3255	2.72	3371	3.02	3482	3.32
2200	2403	2309	0.91	2472	1.18	2654	1.46	2825	1.75	2961	2.03	3085	2.32	3210	2.61	3332	2.92	3446	3.23	3556	3.54
2300	2512	2414	1.04	2569	1.32	2741	1.62	2913	1.92	3049	2.21	3169	2.51	3290	2.81	3408	3.13	3522	3.45	3630	3.77
2400	2621	2519	1.18	2667	1.48	2829	1.78	3001	2.09	3137	2.41	3257	2.71	3371	3.02	3486	3.34	3598	3.68	3705	4.01
2500	2730	2624	1.34	2765	1.64	2919	1.96	3084	2.28	3225	2.61	3345	2.93	3455	3.25	3566	3.58	3675	3.92	3782	4.27
2600	2839	2728	1.52	2864	1.82	3010	2.15	3168	2.48	3314	2.82	3433	3.16	3542	3.49	3647	3.83	3753	4.17	3858	4.53
2700	2949	2834	1.72	2965	2.02	3103	2.36	3255	2.70	3403	3.05	3522	3.40	3631	3.75	3732	4.09	3834	4.45	3936	4.81
2800	3058	2939	1.94	3065	2.22	3197	2.57	3342	2.93	3489	3.30	3611	3.66	3719	4.02	3819	4.38	3916	4.74	4015	5.11
2900	3167	3044	2.30	3165	2.44	3292	2.80	3430	3.18	3572	3.55	3699	3.93	3807	4.30	3907	4.68	4001	5.04	4096	5.42
3000	3276	3148	2.56	3266	2.68	3387	3.05	3519	3.44	3657	3.82	3787	4.21	3895	4.60	3995	4.99	4088	5.37	4178	5.75
3100	3386	3254	2.83	3367	2.93	3485	3.31	3611	3.72	3743	4.11	3876	4.51	3985	4.92	4084	5.32	4177	5.71	4265	6.11
3200	3495	3359	3.10	3468	3.20	3582	3.59	3702	4.00	3830	4.41	3959	4.82	4073	5.24	4172	5.66	4265	6.07	4353	6.48
3300	3604	3464	3.39	3570	3.49	3679	3.88	3794	4.31	3917	4.73	4043	5.15	4161	5.59	4261	6.01	4353	6.44	4441	6.86
3400	3713	3568	3.68	3671	3.79	3777	4.19	3888	4.63	4006	5.07	4128	5.50	4249	5.95	4349	6.39	4441	6.83	4529	7.26
3500	3822	3673	3.98	3773	4.11	3876	4.52	3982	4.96	4096	5.42	4214	5.87	4332	6.32	4437	6.78	4530	7.23		
3600	3932	3779	4.34	3876	4.45	3975	4.87	4078	5.32	4188	5.80	4301	6.25	4416	6.72	4526	7.19				
3700	4041	3884	4.67	3978	4.80	4075	5.24	4174	5.70	4279	6.19	4389	6.66	4501	7.13						
3800	4150	3988	4.91	4080	5.18	4174	5.63	4271	6.09	4371	6.59	4478	7.08	4587	7.56						
3900	4259	4093	5.28	4182	5.57	4274	6.03	4367	6.51	4465	7.01	4568	7.52								
4000	4368	4198	5.69	4285	5.99	4374	6.46	4465	6.94	4559	7.45										

OV	CFM	5		5.5		6		6.5		7		7.5		8		8.5		9		10	
		RPM	BHP	RPM	BHP	RPM	BHP	RPM	BHP	RPM	BHP	RPM	BHP	RPM	BHP	RPM	BHP	RPM	BHP	RPM	BHP
1000	1092	3049	2.03	3190	2.29	3324	2.57	3453	2.85	3577	3.14	3700	3.44	3818	3.75	3932	4.06	4044	4.39	4258	5.06
1100	1201	3074	2.12	3211	2.39	3341	2.67	3470	2.96	3594	3.26	3713	3.56	3829	3.88	3942	4.20	4053	4.53	4267	5.21
1200	1311	3102	2.23	3237	2.50	3367	2.79	3492	3.08	3612	3.38	3730	3.69	3846	4.01	3958	4.34	4067	4.68	4276	5.37
1300	1420	3137	2.34	3268	2.62	3394	2.91	3517	3.21	3637	3.52	3753	3.83	3866	4.16	3975	4.49	4084	4.83	4293	5.54
1400	1529	3178	2.46	3304	2.75	3428	3.04	3548	3.35	3664	3.66	3779	3.98	3891	4.31	4000	4.65	4105	5.00	4310	5.71
1500	1638	3223	2.59	3346	2.88	3467	3.18	3584	3.49	3698	3.81	3810	4.14	3918	4.47	4026	4.82	4131	5.17	4334	5.90
1600	1747	3273	2.73	3393	3.03	3510	3.34	3625	3.65	3736	3.98	3845	4.31	3952	4.65	4057	5.00	4159	5.36	4359	6.10
1700	1857	3330	2.89	3445	3.19	3559	3.50	3670	3.83	3779	4.15	3886	4.49	3990	4.84	4093	5.19	4193	5.56	4388	6.30
1800	1966	3390	3.05	3502	3.36	3612	3.68	3720	4.00	3826	4.34	3930	4.69	4032	5.04	4132	5.40	4231	5.77	4423	6.53
1900	2075	3454	3.23	3563	3.54	3669	3.87	3774	4.20	3877	4.54	3979	4.89	4078	5.25	4176	5.62	4273	5.99	4461	6.76
2000	2184	3522	3.43	3628	3.75	3731	4.07	3833	4.41	3933	4.75	4031	5.11	4128	5.47	4224	5.85	4318	6.23	4503	7.01
2100	2293	3591	3.64	3695	3.96	3796	4.29	3895	4.63	3992	4.98	4088	5.34	4182	5.71	4275	6.09	4368	6.48	4548	7.27
2200	2403	3662	3.86	3765	4.19	3865	4.53	3961	4.88	4056	5.23	4149	5.60	4241	5.97	4332	6.35	4421	6.74	4597	7.55
2300	2512	3734	4.10	3835	4.44	3934	4.78	4029	5.14	4122	5.50	4213	5.87	4303	6.24	4391	6.63	4478	7.02		
2400	2621	3807	4.35	3907	4.70	4004	5.05	4098	5.41	4190	5.78	4280	6.15	4367	6.53	4454	6.92	4539	7.32		
2500	2730	3883	4.62	3980	4.97	4076	5.33	4169	5.70	4260	6.07	4348	6.46	4434	6.84	4519	7.24	4602	7.64		
2600	2839	3959	4.90	4055	5.26	4149	5.63	4240	6.01	4330	6.39	4417	6.78	4503	7.17	4586	7.57				
2700	2949	4036	5.19	4132	5.57	4224	5.95	4314	6.33	4402	6.72	4488	7.12	4573	7.52						
2800	3058	4113	5.49	4209	5.88	4300	6.28	4389	6.67	4476	7.07	4561	7.47								
2900	3167	4191	5.81	4285	6.21	4377	6.62	4465	7.02	4550	7.43										
3000	3276	4271	6.15	4363	6.56	4453	6.97	4541	7.39												
3100	3386	4353	6.51	4443	6.92	4531	7.34														
3200	3495	4436	6.88	4524	7.30																
3300	3604	4524	7.28																		

Performance shown is for installation type B&D - Free or ducted inlet, Ducted outlet.
 Power rating (BHP) does not include drive losses.
 Performance ratings do not include the effects of appurtenances in the airstream.



Model No. BIC 15

Wheel Diameter 15 In.

Outlet Area 1.3304 Sq. Ft.

OV	CFM	0		.5		1		1.5		2		2.5		3		3.5		4		4.5	
		RPM	BHP	RPM	BHP	RPM	BHP	RPM	BHP	RPM	BHP	RPM	BHP	RPM	BHP	RPM	BHP	RPM	BHP	RPM	BHP
1000	1330	932	0.11	1243	0.26	1475	0.43	1671	0.62	1851	0.84	2021	1.07	2180	1.32	2331	1.59	2476	1.88	2612	2.18
1100	1463	1025	0.16	1320	0.31	1540	0.49	1730	0.69	1900	0.91	2062	1.15	2215	1.41	2361	1.69	2501	1.98	2635	2.29
1200	1596	1118	0.19	1399	0.36	1608	0.56	1791	0.77	1956	0.99	2109	1.24	2257	1.51	2398	1.79	2533	2.09	2662	2.40
1300	1730	1212	0.24	1478	0.42	1677	0.63	1856	0.85	2016	1.09	2163	1.34	2303	1.62	2439	1.91	2570	2.21	2696	2.53
1400	1863	1305	0.30	1556	0.49	1749	0.71	1923	0.95	2078	1.20	2221	1.46	2356	1.73	2486	2.03	2612	2.35	2735	2.67
1500	1996	1398	0.37	1631	0.57	1824	0.81	1990	1.05	2142	1.31	2283	1.58	2413	1.87	2538	2.17	2659	2.49	2778	2.82
1600	2129	1492	0.45	1707	0.66	1903	0.91	2059	1.17	2209	1.44	2345	1.72	2474	2.01	2595	2.32	2712	2.64	2825	2.98
1700	2262	1585	0.54	1785	0.76	1981	1.03	2131	1.29	2277	1.58	2410	1.87	2536	2.17	2655	2.49	2768	2.82	2878	3.16
1800	2395	1678	0.64	1865	0.87	2060	1.15	2205	1.43	2345	1.72	2477	2.03	2599	2.34	2716	2.67	2827	3.00	2934	3.35
1900	2528	1771	0.74	1946	0.99	2138	1.28	2283	1.58	2415	1.88	2545	2.20	2665	2.53	2779	2.86	2889	3.21	2993	3.57
2000	2661	1864	0.86	2029	1.11	2216	1.43	2362	1.74	2487	2.06	2613	2.39	2732	2.73	2844	3.07	2951	3.43	3055	3.79
2100	2794	1957	0.98	2114	1.26	2290	1.58	2440	1.92	2563	2.24	2683	2.58	2800	2.94	2910	3.29	3015	3.66	3117	4.03
2200	2927	2051	1.09	2199	1.41	2365	1.75	2519	2.10	2641	2.45	2755	2.79	2869	3.16	2978	3.53	3081	3.91	3181	4.29
2300	3060	2144	1.24	2285	1.58	2442	1.94	2597	2.30	2720	2.66	2828	3.02	2939	3.39	3046	3.78	3149	4.17	3246	4.57
2400	3193	2237	1.40	2372	1.76	2521	2.14	2676	2.51	2798	2.89	2906	3.27	3010	3.64	3115	4.04	3217	4.45	3313	4.86
2500	3326	2330	1.59	2460	1.96	2600	2.35	2751	2.74	2877	3.14	2984	3.53	3083	3.91	3185	4.32	3284	4.74	3381	5.16
2600	3459	2423	1.80	2548	2.17	2681	2.58	2825	2.98	2955	3.39	3063	3.80	3161	4.21	3257	4.62	3354	5.04	3448	5.48
2700	3592	2517	2.04	2636	2.40	2763	2.82	2901	3.24	3034	3.67	3141	4.09	3239	4.51	3330	4.93	3425	5.37	3517	5.82
2800	3725	2610	2.30	2725	2.65	2846	3.07	2978	3.51	3112	3.96	3220	4.40	3317	4.84	3408	5.27	3497	5.71	3587	6.17
2900	3858	2703	2.73	2814	2.91	2930	3.35	3056	3.80	3186	4.26	3298	4.72	3396	5.18	3486	5.63	3570	6.07	3658	6.54
3000	3991	2796	3.04	2903	3.19	3014	3.64	3135	4.11	3261	4.58	3377	5.06	3474	5.53	3564	6.00	3648	6.47	3731	6.94
3100	4124	2889	3.35	2993	3.49	3100	3.95	3215	4.44	3336	4.92	3456	5.42	3553	5.91	3642	6.39	3726	6.88	3806	7.35
3200	4257	2982	3.68	3083	3.81	3186	4.28	3296	4.79	3413	5.28	3531	5.79	3631	6.30	3721	6.80	3804	7.30	3883	7.80
3300	4390	3076	4.02	3173	4.15	3273	4.63	3378	5.15	3491	5.66	3605	6.18	3710	6.71	3799	7.23	3883	7.75	3962	8.26
3400	4523	3169	4.37	3263	4.50	3359	5.00	3461	5.53	3569	6.07	3680	6.59	3789	7.14	3878	7.67	3961	8.21	4040	8.74
3500	4656	3262	4.76	3353	4.88	3447	5.39	3544	5.93	3649	6.49	3756	7.03	3864	7.58	3957	8.14	4040	8.69	4118	9.24
3600	4789	3355	5.14	3444	5.28	3535	5.81	3629	6.36	3729	6.93	3833	7.49	3938	8.05	4035	8.63	4118	9.20	4197	9.76
3700	4922	3448	5.53	3534	5.71	3623	6.24	3714	6.80	3810	7.40	3911	7.97	4013	8.54	4114	9.14	4197	9.72	4275	10.30
3800	5056	3542	6.00	3626	6.16	3712	6.70	3800	7.28	3893	7.88	3990	8.47	4089	9.06	4188	9.67	4276	10.27		
3900	5189	3635	6.30	3717	6.63	3800	7.19	3886	7.77	3975	8.38	4069	9.00	4166	9.60	4263	10.22				
4000	5322	3729	6.75	3808	7.12	3889	7.69	3972	8.29	4058	8.91	4150	9.55	4243	10.17						

OV	CFM	5		5.5		6		6.5		7		7.5		8		8.5		9		10	
		RPM	BHP	RPM	BHP	RPM	BHP	RPM	BHP	RPM	BHP	RPM	BHP	RPM	BHP	RPM	BHP	RPM	BHP	RPM	BHP
1000	1330	2742	2.49	2869	2.81	2989	3.15	3105	3.50	3218	3.86	3328	4.23	3435	4.61	3538	5.00	3638	5.39	3831	6.22
1100	1463	2764	2.60	2886	2.94	3005	3.28	3120	3.63	3232	4.00	3339	4.37	3444	4.76	3546	5.16	3646	5.56	3839	6.40
1200	1596	2787	2.73	2909	3.07	3026	3.42	3139	3.78	3247	4.15	3355	4.53	3459	4.93	3560	5.33	3657	5.74	3847	6.59
1300	1730	2818	2.86	2936	3.21	3050	3.56	3162	3.93	3270	4.31	3374	4.70	3475	5.10	3575	5.51	3673	5.93	3861	6.80
1400	1863	2853	3.01	2968	3.36	3079	3.72	3187	4.10	3293	4.48	3397	4.88	3498	5.29	3596	5.71	3691	6.13	3876	7.01
1500	1996	2892	3.17	3004	3.53	3113	3.89	3219	4.28	3322	4.67	3423	5.07	3521	5.48	3618	5.91	3713	6.34	3896	7.24
1600	2129	2936	3.34	3045	3.70	3151	4.08	3254	4.47	3355	4.87	3454	5.28	3550	5.70	3645	6.12	3737	6.56	3919	7.48
1700	2262	2985	3.52	3090	3.89	3193	4.28	3294	4.67	3392	5.08	3489	5.49	3583	5.92	3676	6.36	3766	6.80	3943	7.72
1800	2395	3038	3.72	3139	4.09	3239	4.49	3337	4.89	3433	5.31	3527	5.73	3620	6.16	3710	6.60	3799	7.06	3973	7.99
1900	2528	3094	3.93	3193	4.32	3289	4.71	3384	5.12	3477	5.54	3569	5.98	3660	6.42	3748	6.87	3836	7.33	4006	8.27
2000	2661	3153	4.17	3249	4.56	3343	4.96	3435	5.37	3526	5.80	3615	6.23	3703	6.69	3790	7.15	3875	7.61	4042	8.57
2100	2794	3215	4.42	3309	4.82	3400	5.22	3490	5.64	3578	6.07	3665	6.51	3750	6.97	3835	7.43	3918	7.91	4082	8.89
2200	2927	3277	4.69	3370	5.09	3460	5.51	3548	5.93	3633	6.37	3718	6.81	3801	7.27	3883	7.74	3964	8.22	4124	9.22
2300	3060	3340	4.97	3432	5.38	3521	5.81	3607	6.24	3691	6.68	3774	7.14	3855	7.60	3935	8.07	4014	8.56	4170	9.56
2400	3193	3406	5.27	3495	5.70	3583	6.13	3669	6.57	3751	7.02	3832	7.48	3912	7.95	3990	8.43	4067	8.92	4219	9.93
2500	3326	3472	5.59	3560	6.02	3647	6.47	3731	6.92	3813	7.38	3893	7.84	3971	8.32	4047	8.81	4123	9.30	4271	10.33
2600	3459	3539	5.93	3627	6.37	3711	6.82	3794	7.28	3875	7.75	3954	8.23	4032	8.71	4107	9.21	4181	9.71		
2700	3592	3608	6.28	3694	6.74	3777	7.20	3859	7.67	3939	8.15	4017	8.63	4093	9.13	4168	9.63	4241	10.14		
2800	3725	3675	6.64	3762	7.12	3845	7.59	3925	8.07	4003	8.56	4080	9.06	4155	9.56	4230	10.07				
2900	3858	3745	7.02	3830	7.51	3913	8.01	3992	8.50	4069	9.00	4145	9.50	4219	10.02	4292	10.54				
3000	3991	3815	7.42	3898	7.92	3980	8.43	4060	8.94	4136	9.45	4211	9.97	4284	10.49						
3100	4124	3887	7.85	3969	8.36	4049	8.87	4128	9.40	4204	9.93	4278	10.46								
3200	4257	3960	8.29	4040	8.81	4118	9.34	4196	9.88	4272	10.42										
3300	4390	4037	8.77	4112	9.29	4189	9.83	4265	10.37												
3400	4523	4114	9.27	4186	9.79	4261	10.34														
3500	4656	4193	9.79	4264	10.33																
3600	4789	4271	10.33																		

Performance shown is for installation type B&D - Free or ducted inlet, Ducted outlet.
 Power rating (BHP) does not include drive losses.
 Performance ratings do not include the effects of appurtenances in the airstream.

Model No. BIC 18

Wheel Diameter 18.25 In.

Outlet Area 1.963 Sq. Ft.

OV	CFM	0		.5		1		1.5		2		2.5		3		3.5		4		4.5		
		RPM	BHP	RPM	BHP	RPM	BHP	RPM	BHP	RPM	BHP	RPM	BHP	RPM	BHP	RPM	BHP	RPM	BHP	RPM	BHP	
1000	1963	792	0.17	1011	0.37	1192	0.61	1358	0.89	1509	1.20	1644	1.50	1766	1.90	1879	2.20	1987	2.60	2090	3.00	
1100	2160	869	0.22	1073	0.44	1245	0.70	1399	0.98	1547	1.30	1680	1.60	1802	2.00	1915	2.40	2020	2.80	2120	3.20	
1200	2356	947	0.28	1136	0.52	1302	0.80	1447	1.10	1586	1.40	1718	1.80	1839	2.20	1951	2.50	2055	3.00	2154	3.40	
1300	2552	1025	0.36	1201	0.61	1361	0.91	1499	1.20	1629	1.60	1757	1.90	1877	2.30	1988	2.70	2092	3.10	2190	3.60	
1400	2748	1103	0.44	1267	0.71	1421	1.00	1555	1.40	1678	1.70	1798	2.10	1915	2.50	2025	2.90	2129	3.30	2226	3.80	
1500	2945	1180	0.55	1334	0.83	1482	1.20	1613	1.50	1731	1.90	1843	2.30	1955	2.70	2064	3.10	2167	3.60	2263	4.00	
1600	3141	1258	0.66	1401	0.96	1545	1.30	1672	1.70	1786	2.10	1894	2.50	1999	2.90	2104	3.30	2205	3.80	2301	4.30	
1700	3337	1336	0.79	1470	1.10	1609	1.50	1732	1.90	1843	2.30	1948	2.70	2047	3.10	2146	3.60	2244	4.00	2340	4.50	
1800	3534	1414	0.93	1541	1.30	1673	1.70	1792	2.10	1902	2.50	2003	2.90	2100	3.40	2193	3.80	2287	4.30	2379	4.80	
1900	3730	1492	1.10	1611	1.40	1739	1.80	1854	2.30	1962	2.70	2061	3.20	2154	3.60	2245	4.10	2333	4.60	2421	5.10	
2000	3926	1569	1.30	1681	1.60	1805	2.10	1918	2.50	2022	3.00	2119	3.40	2211	3.90	2298	4.40	2383	4.90	2466	5.40	
2100	4123	1647	1.50	1755	1.80	1872	2.30	1982	2.80	2083	3.20	2178	3.70	2268	4.20	2353	4.70	2436	5.20	2517	5.80	
2200	4319	1725	1.70	1828	2.10	1939	2.50	2046	3.00	2145	3.50	2239	4.00	2327	4.50	2411	5.10	2491	5.60	2569	6.10	
2300	4515	1803	1.90	1902	2.30	2007	2.80	2112	3.30	2208	3.80	2299	4.30	2386	4.90	2469	5.40	2547	6.00	2623	6.50	
2400	4712	1880	2.20	1976	2.60	2076	3.10	2178	3.60	2273	4.20	2361	4.70	2446	5.30	2527	5.80	2605	6.40	2679	7.00	
2500	4908	1958	2.50	2050	2.90	2147	3.40	2244	4.00	2337	4.50	2424	5.10	2507	5.60	2587	6.20	2663	6.80	2736	7.40	
2600	5104	2036	2.80	2123	3.20	2217	3.80	2311	4.30	2402	4.90	2487	5.50	2568	6.00	2647	6.60	2722	7.30	2795	7.90	
2700	5301	2114	3.10	2197	3.50	2288	4.10	2379	4.70	2468	5.30	2552	5.90	2631	6.50	2707	7.10	2782	7.70	2853	8.40	
2800	5497	2192	3.50	2275	3.90	2358	4.50	2446	5.10	2534	5.70	2616	6.30	2694	6.90	2769	7.60	2842	8.20	2912	8.90	
2900	5693	2269	3.80	2353	4.40	2430	4.90	2515	5.50	2600	6.10	2681	6.80	2758	7.40	2831	8.10	2903	8.70	2972	9.40	
3000	5890	2347	4.20	2430	4.80	2504	5.40	2586	6.00	2667	6.60	2747	7.30	2822	8.00	2894	8.60	2964	9.30	3033	10.00	
3100	6086	2425	4.70	2508	5.30	2578	5.80	2656	6.50	2735	7.10	2813	7.80	2886	8.50	2958	9.20	3026	9.90	3094	10.60	
3200	6282	2503	5.10	2586	5.80	2651	6.30	2726	7.00	2803	7.70	2879	8.40	2952	9.10	3022	9.80	3089	10.50	3155	11.20	
3300	6479	2581	5.60	2664	6.30	2725	6.90	2797	7.50	2870	8.20	2946	8.90	3018	9.70	3087	10.40	3153	11.10			
3400	6675	2658	6.10	2742	6.90	2799	7.40	2867	8.10	2941	8.80	3013	9.50	3084	10.30	3151	11.00					
3500	6871	2736	6.70	2819	7.50	2872	8.00	2938	8.70	3011	9.40	3081	10.20	3150	10.90							
3600	7068	2814	7.30	2897	8.10	2946	8.60	3012	9.30	3081	10.10	3148	10.80									
3700	7264	2892	7.90	2975	8.80	3020	9.20	3086	10.00	3152	10.80											
3800	7460	2969	8.50	3053	9.50	3093	9.90	3159	10.70													
3900	7656	3047	9.20	3130	10.30	3171	10.70															

OV	CFM	5		5.5		6		6.5		7		7.5		8		8.5		9		10	
		RPM	BHP	RPM	BHP	RPM	BHP	RPM	BHP	RPM	BHP	RPM	BHP	RPM	BHP	RPM	BHP	RPM	BHP	RPM	BHP
200	393	2008	2.10	2103	2.40	2195	2.70	2282	3.10	2366	3.40	2447	3.80	2526	4.20	2602	4.50	2676	4.90	2818	5.70
300	589	2033	2.30	2129	2.60	2220	2.90	2308	3.30	2392	3.60	2473	4.00	2552	4.40	2628	4.80	2702	5.20	2844	6.00
400	785	2057	2.40	2153	2.80	2245	3.10	2333	3.50	2417	3.80	2498	4.20	2577	4.60	2653	5.00	2727	5.50	2870	6.30
500	982	2078	2.60	2175	2.90	2267	3.30	2355	3.70	2440	4.10	2521	4.50	2600	4.90	2677	5.30	2752	5.70	2894	6.60
600	1178	2098	2.70	2195	3.10	2287	3.50	2376	3.90	2461	4.30	2543	4.70	2622	5.10	2699	5.60	2773	6.00	2916	6.90
700	1374	2118	2.90	2215	3.30	2307	3.70	2396	4.10	2481	4.50	2563	4.90	2642	5.40	2719	5.80	2794	6.30	2938	7.20
800	1571	2139	3.00	2235	3.40	2327	3.80	2416	4.30	2501	4.70	2583	5.10	2662	5.60	2739	6.10	2814	6.50	2958	7.50
900	1767	2163	3.20	2257	3.60	2348	4.00	2436	4.50	2521	4.90	2603	5.40	2682	5.90	2759	6.30	2834	6.80	2978	7.80
1000	1963	2188	3.40	2282	3.80	2373	4.30	2459	4.70	2543	5.20	2624	5.60	2703	6.10	2779	6.60	2854	7.10	2998	8.20
1100	2160	2216	3.60	2309	4.10	2398	4.50	2484	5.00	2568	5.40	2648	5.90	2726	6.40	2802	6.90	2876	7.40	3018	8.50
1200	2356	2248	3.80	2338	4.30	2426	4.70	2511	5.20	2594	5.70	2673	6.20	2751	6.70	2826	7.20	2900	7.80	3041	8.80
1300	2552	2283	4.10	2372	4.50	2457	5.00	2541	5.50	2621	6.00	2700	6.50	2777	7.00	2852	7.60	2925	8.10	3065	9.20
1400	2748	2319	4.30	2408	4.80	2492	5.30	2574	5.80	2653	6.30	2730	6.80	2805	7.40	2879	7.90	2951	8.50	3091	9.60
1500	2945	2356	4.50	2444	5.00	2528	5.50	2609	6.10	2688	6.60	2763	7.20	2837	7.70	2910	8.30	2980	8.80	3118	10.00
1600	3141	2393	4.80	2481	5.30	2565	5.80	2646	6.30	2723	6.90	2799	7.50	2872	8.10	2943	8.70	3012	9.30	3147	10.40
1700	3337	2431	5.00	2518	5.60	2602	6.10	2682	6.60	2760	7.20	2835	7.80	2908	8.40	2978	9.00	3047	9.60		
1800	3534	2470	5.30	2556	5.90	2639	6.40	2719	7.00	2797	7.50	2871	8.10	2944	8.80	3014	9.40	3083	10.00		
1900	3730	2509	5.60	2595	6.20	2678	6.80	2757	7.30	2834	7.90	2908	8.50	2981	9.10	3051	9.80	3119	10.40		
2000	3926	2551	6.00	2635	6.50	2717	7.10	2796	7.70	2872	8.30	2946	8.90	3018	9.50	3088	10.20	3156	10.80		
2100	4123	2596	6.30	2677	6.90	2756	7.50	2835	8.10	2911	8.70	2984	9.30	3056	10.00	3125	10.60				
2200	4319	2646	6.70	2721	7.30	2799	7.90	2875	8.50	2950	9.10	3023	9.80	3094	10.40	3163	11.10				
2300	4515	2698	7.10	2771	7.70	2843	8.30	2917	8.90	2990	9.60	3062	10.20	3133	10.90						
2400	4712	2752	7.50	2823	8.10	2893	8.80	2962	9.40	3033	10.00	3103	10.70	3173	11.40						
2500	4908	2807	8.00	2877	8.60	2945	9.20	3013	9.90	3079	10.50	3147	11.20								
2600	5104	2864	8.50	2932	9.10	2999	9.80	3065	10.40	3129	11.10										
2700	5301	2922	9.00	2989	9.70	3053	10.30	3118	11.00												
2800	5497	2981	9.50	3046	10.20	3110	10.90	3172	11.60												
2900	5693	3039	10.10	3104	10.80	3167	11.50														
3000	5890	3099	10.70	3163	11.40																
3100	6086	3159	11.30																		

Performance shown is for installation type B&D - Free or ducted inlet, Ducted outlet.
 Power rating (BHP) does not include drive losses.
 Performance ratings do not include the effects of appurtenances in the airstream.

Model No. BIC 22

Wheel Diameter 22.25 In.

Outlet Area 2.966 Sq. Ft.

OV	CFM	0		.5		1		1.5		2		2.5		3		3.5		4		4.5	
		RPM	BHP	RPM	BHP	RPM	BHP	RPM	BHP	RPM	BHP	RPM	BHP	RPM	BHP	RPM	BHP	RPM	BHP	RPM	BHP
1000	2966	660	0.26	837	0.57	984	0.93	1119	1.30	1243	1.80	1353	2.30	1453	2.80	1546	3.40	1634	3.90	1718	4.50
1100	3263	725	0.34	889	0.67	1030	1.10	1154	1.50	1275	2.00	1384	2.50	1483	3.00	1576	3.60	1662	4.20	1743	4.80
1200	3559	789	0.44	942	0.80	1078	1.20	1195	1.70	1308	2.20	1416	2.70	1514	3.20	1606	3.80	1692	4.50	1773	5.10
1300	3856	854	0.56	997	0.94	1127	1.40	1239	1.90	1344	2.40	1448	2.90	1546	3.50	1637	4.10	1722	4.70	1803	5.40
1400	4152	919	0.69	1052	1.10	1177	1.60	1286	2.10	1386	2.60	1483	3.20	1578	3.80	1669	4.40	1753	5.00	1833	5.70
1500	4449	984	0.85	1108	1.30	1228	1.80	1335	2.30	1431	2.90	1522	3.40	1612	4.00	1701	4.70	1785	5.40	1864	6.10
1600	4746	1049	1.00	1164	1.50	1281	2.00	1384	2.60	1477	3.10	1565	3.70	1649	4.40	1734	5.00	1817	5.70	1896	6.40
1700	5042	1114	1.20	1222	1.70	1334	2.30	1434	2.80	1525	3.50	1610	4.10	1691	4.70	1771	5.40	1850	6.10	1928	6.80
1800	5339	1178	1.50	1281	2.00	1388	2.50	1485	3.20	1574	3.80	1657	4.40	1735	5.10	1811	5.80	1886	6.50	1962	7.30
1900	5635	1243	1.70	1339	2.20	1443	2.80	1537	3.50	1624	4.10	1705	4.80	1781	5.50	1855	6.20	1926	6.90	1997	7.70
2000	5932	1308	2.00	1399	2.50	1498	3.20	1590	3.80	1675	4.50	1754	5.20	1829	6.00	1900	6.70	1969	7.40	2037	8.20
2100	6229	1373	2.30	1460	2.90	1554	3.50	1644	4.20	1726	4.90	1804	5.70	1877	6.40	1946	7.20	2014	8.00	2079	8.80
2200	6525	1438	2.60	1522	3.20	1611	3.90	1698	4.60	1778	5.40	1854	6.10	1926	6.90	1994	7.70	2059	8.50	2123	9.30
2300	6822	1503	3.00	1583	3.60	1667	4.30	1753	5.10	1831	5.90	1905	6.70	1976	7.50	2043	8.30	2107	9.10	2169	9.90
2400	7118	1568	3.40	1644	4.00	1726	4.80	1808	5.60	1885	6.40	1957	7.20	2026	8.00	2092	8.90	2155	9.70	2216	10.60
2500	7415	1632	3.80	1706	4.50	1785	5.30	1863	6.10	1938	6.90	2009	7.80	2077	8.60	2142	9.50	2204	10.40	2264	11.30
2600	7712	1697	4.30	1767	5.00	1843	5.80	1920	6.60	1993	7.50	2063	8.40	2128	9.30	2192	10.20	2253	11.10	2313	12.00
2700	8008	1762	4.80	1830	5.50	1902	6.40	1976	7.20	2048	8.10	2116	9.00	2181	9.90	2243	10.90	2304	11.80	2362	12.80
2800	8305	1827	5.40	1895	6.10	1961	6.90	2032	7.80	2103	8.80	2170	9.70	2234	10.70	2295	11.60	2354	12.60	2411	13.60
2900	8601	1892	6.00	1960	6.80	2022	7.60	2091	8.50	2159	9.50	2225	10.40	2287	11.40	2347	12.40	2405	13.40	2462	14.40
3000	8898	1957	6.60	2025	7.50	2083	8.30	2149	9.20	2215	10.20	2280	11.20	2341	12.20	2400	13.20	2457	14.20	2512	15.30
3100	9195	2021	7.30	2090	8.20	2145	9.00	2208	10.00	2272	11.00	2335	12.00	2395	13.00	2453	14.10	2509	15.10	2563	16.20
3200	9491	2086	8.00	2155	9.00	2206	9.80	2267	10.80	2328	11.80	2390	12.90	2450	13.90	2507	15.00	2561	16.10		
3300	9788	2151	8.70	2219	9.80	2268	10.60	2325	11.60	2385	12.70	2446	13.80	2505	14.90	2560	16.00				
3400	10084	2216	9.60	2284	10.70	2329	11.50	2384	12.50	2444	13.60	2503	14.70	2560	15.80						
3500	10381	2281	10.40	2349	11.70	2391	12.40	2445	13.40	2503	14.60	2559	15.70								
3600	10678	2346	11.30	2414	12.70	2452	13.30	2506	14.50	2562	15.60										
3700	10974	2411	12.30	2479	13.70	2514	14.30	2568	15.50												
3800	11271	2475	13.30	2544	14.80	2577	15.40														
3900	11567	2540	14.30																		

OV	CFM	5		5.5		6		6.5		7		7.5		8		8.5		9		10	
		RPM	BHP	RPM	BHP	RPM	BHP	RPM	BHP	RPM	BHP	RPM	BHP	RPM	BHP	RPM	BHP	RPM	BHP	RPM	BHP
200	593	1648	3.10	1726	3.60	1801	4.10	1873	4.60	1942	5.10	2008	5.60	2073	6.20	2135	6.80	2196	7.30	2312	8.50
300	890	1669	3.40	1747	3.90	1822	4.40	1894	4.90	1963	5.40	2030	6.00	2094	6.50	2157	7.10	2217	7.70	2334	9.00
400	1186	1688	3.60	1767	4.10	1843	4.60	1915	5.20	1984	5.70	2051	6.30	2115	6.90	2178	7.50	2238	8.10	2355	9.40
500	1483	1706	3.80	1785	4.40	1861	4.90	1933	5.50	2002	6.10	2070	6.70	2134	7.30	2197	7.90	2258	8.50	2376	9.90
600	1780	1723	4.10	1802	4.60	1878	5.20	1950	5.80	2020	6.40	2087	7.00	2152	7.60	2215	8.30	2277	9.00	2394	10.30
700	2076	1739	4.30	1819	4.90	1894	5.50	1967	6.10	2037	6.70	2104	7.30	2169	8.00	2232	8.70	2294	9.40	2411	10.80
800	2373	1757	4.60	1835	5.10	1911	5.70	1983	6.40	2053	7.00	2121	7.70	2186	8.40	2249	9.10	2310	9.80	2428	11.30
900	2669	1777	4.80	1855	5.40	1929	6.10	2001	6.70	2070	7.40	2137	8.10	2203	8.80	2266	9.50	2327	10.20	2445	11.70
1000	2966	1798	5.10	1875	5.70	1949	6.40	2021	7.10	2089	7.70	2155	8.40	2220	9.20	2283	9.90	2344	10.70	2461	12.20
1100	3263	1822	5.40	1898	6.10	1971	6.80	2042	7.40	2110	8.10	2176	8.90	2240	9.60	2302	10.30	2362	11.10	2479	12.70
1200	3559	1849	5.80	1923	6.50	1995	7.10	2064	7.80	2132	8.60	2197	9.30	2260	10.10	2322	10.80	2382	11.60	2498	13.20
1300	3856	1879	6.10	1952	6.80	2022	7.50	2089	8.30	2156	9.00	2220	9.80	2283	10.50	2344	11.30	2404	12.10	2519	13.80
1400	4152	1909	6.40	1981	7.20	2051	7.90	2118	8.70	2182	9.50	2245	10.30	2307	11.10	2367	11.90	2426	12.70	2540	14.40
1500	4449	1940	6.80	2012	7.50	2081	8.30	2148	9.10	2212	9.90	2274	10.80	2334	11.60	2393	12.40	2451	13.30	2563	15.00
1600	4746	1971	7.20	2043	7.90	2111	8.70	2178	9.50	2242	10.40	2303	11.20	2363	12.10	2421	13.00	2478	13.90	2588	15.70
1700	5042	2003	7.60	2074	8.40	2142	9.20	2208	10.00	2272	10.90	2334	11.70	2393	12.60	2451	13.50	2508	14.50		
1800	5339	2035	8.10	2106	8.90	2174	9.70	2240	10.50	2303	11.40	2364	12.30	2424	13.20	2481	14.10	2537	15.00		
1900	5635	2069	8.50	2139	9.40	2206	10.20	2271	11.10	2334	11.90	2395	12.80	2454	13.80	2512	14.70	2568	15.70		
2000	5932	2104	9.00	2172	9.90	2239	10.70	2303	11.60	2366	12.50	2427	13.40	2486	14.40	2543	15.30	2598	16.30		
2100	6229	2143	9.60	2208	10.40	2272	11.30	2336	12.20	2398	13.20	2459	14.10	2517	15.10	2574	16.00				
2200	6525	2186	10.20	2247	11.00	2309	11.90	2370	12.80	2431	13.80	2491	14.80	2549	15.80						
2300	6822	2229	10.80	2289	11.70	2348	12.60	2407	13.50	2465	14.50	2524	15.50	2582	16.50						
2400	7118	2275	11.50	2333	12.40	2390	13.30	2446	14.20	2503	15.20	2559	16.20								
2500	7415	2322	12.20	2378	13.10	2434	14.10	2488	15.00	2542	16.00	2596	17.00								
2600	7712	2369	13.00	2424	13.90	2479	14.90	2532	15.80												
2700	8008	2418	13.70	2472	14.70	2525	15.70	2577	16.70												
2800	8305	2467	14.60	2520	15.60	2573	16.60														
2900	8601	2516	15.40	2569	16.50																
3000	8898	2566	16.30																		

Performance shown is for installation type B&D - Free or ducted inlet, Ducted outlet.
 Power rating (BHP) does not include drive losses.
 Performance ratings do not include the effects of appurtenances in the airstream.



Model No. BIC 27

Wheel Diameter 27 In.

Outlet Area 4.3242 Sq. Ft.

OV	CFM	0		.5		1		1.5		2		2.5		3		3.5		4		4.5	
		RPM	BHP	RPM	BHP	RPM	BHP	RPM	BHP	RPM	BHP	RPM	BHP	RPM	BHP	RPM	BHP	RPM	BHP	RPM	BHP
1000	4324	466	0.30	596	0.59	707	0.98	810	1.43	905	1.94	999	2.52	1092	3.17	1176	3.82				
1100	4757	512	0.45	633	0.70	737	1.11	834	1.58	924	2.10	1010	2.68	1094	3.32	1179	4.03	1265	4.81	1321	5.36
1200	5189	559	0.56	668	0.81	769	1.26	859	1.75	946	2.29	1027	2.87	1105	3.51	1183	4.21	1261	4.97	1339	5.79
1300	5621	605	0.68	706	0.95	803	1.44	888	1.94	970	2.49	1048	3.10	1122	3.74	1194	4.43	1266	5.18	1338	5.98
1400	6054	652	0.85	745	1.11	838	1.63	919	2.16	996	2.73	1072	3.35	1143	4.00	1211	4.70	1278	5.45	1345	6.24
1500	6486	698	1.02	785	1.28	875	1.84	952	2.40	1026	2.99	1096	3.61	1166	4.30	1231	5.00	1295	5.75	1358	6.55
1600	6919	745	1.21	826	1.48	910	2.07	986	2.66	1056	3.28	1124	3.92	1190	4.61	1255	5.34	1316	6.10	1376	6.90
1700	7351	792	1.41	867	1.70	946	2.31	1021	2.95	1089	3.59	1154	4.26	1216	4.95	1279	5.70	1339	6.48	1396	7.29
1800	7784	838	1.63	909	1.94	983	2.58	1058	3.26	1122	3.93	1185	4.62	1245	5.34	1304	6.09	1363	6.90	1419	7.72
1900	8216	885	1.89	952	2.21	1022	2.87	1094	3.60	1157	4.29	1217	5.01	1275	5.76	1332	6.52	1388	7.33	1443	8.19
2000	8648	931	2.15	995	2.51	1061	3.20	1129	3.94	1193	4.69	1250	5.43	1307	6.20	1361	7.00	1415	7.81	1468	8.67
2100	9081	978	2.46	1039	2.83	1101	3.55	1165	4.31	1229	5.12	1285	5.89	1339	6.68	1392	7.50	1444	8.34	1495	9.20
2200	9513	1024	2.79	1082	3.19	1142	3.93	1203	4.71	1266	5.56	1320	6.37	1373	7.19	1424	8.03	1475	8.91	1523	9.78
2300	9946	1071	3.23	1126	3.57	1183	4.34	1241	5.15	1301	6.02	1357	6.89	1407	7.73	1457	8.60	1506	9.49	1554	10.41
2400	10378	1118	3.63	1170	3.99	1225	4.79	1280	5.62	1337	6.51	1393	7.44	1443	8.31	1491	9.21	1538	10.12	1585	11.06
2500	10811	1164	4.05	1215	4.43	1267	5.27	1320	6.13	1374	7.04	1429	8.00	1479	8.93	1526	9.85	1571	10.79	1616	11.75
2600	11243	1211	4.50	1259	4.92	1309	5.78	1360	6.67	1412	7.60	1464	8.58	1516	9.58	1561	10.53	1606	11.49	1649	12.48
2700	11675	1257	5.04	1304	5.44	1352	6.33	1401	7.25	1450	8.20	1500	9.20	1552	10.26	1597	11.25	1641	12.24	1683	13.25
2800	12108	1304	5.55	1349	6.00	1395	6.92	1442	7.87	1489	8.85	1538	9.87	1587	10.94	1634	12.01	1676	13.03	1718	14.07
2900	12540	1350	6.09	1394	6.59	1438	7.55	1483	8.53	1529	9.53	1575	10.57	1623	11.66	1671	12.80	1713	13.86	1753	14.92
3000	12973	1397	6.74	1439	7.23	1482	8.22	1525	9.23	1569	10.26	1614	11.32	1659	12.43	1705	13.58	1749	14.74	1789	15.83
3100	13405	1443	7.34	1484	7.91	1526	8.93	1568	9.97	1610	11.03	1653	12.11	1697	13.24	1741	14.41	1786	15.64	1825	16.77
3200	13837	1490	8.08	1529	8.63	1570	9.68	1610	10.75	1651	11.84	1693	12.95	1735	14.10	1777	15.29	1821	16.53	1862	17.76
3300	14270	1537	8.75	1575	9.39	1614	10.48	1653	11.58	1693	12.70	1733	13.84	1773	15.01	1814	16.22	1856	17.47	1898	18.78
3400	14702	1583	9.57	1620	10.20	1658	11.32	1696	12.45	1734	13.60	1773	14.77	1812	15.96	1852	17.20	1892	18.47	1933	19.79
3500	15135	1630	10.44	1666	11.06	1702	12.21	1739	13.38	1777	14.55	1814	15.75	1852	16.97	1890	18.22	1929	19.51	1969	20.85
3600	15567	1676	11.24	1711	11.97	1747	13.15	1783	14.35	1819	15.55	1855	16.78	1892	18.03	1929	19.30	1967	20.61	2005	21.96
3700	16000	1723	12.20	1757	12.93	1791	14.14	1826	15.37	1861	16.61	1897	17.86	1933	19.14	1969	20.44	2005	21.77		
3800	16432	1769	13.22	1802	13.94	1836	15.18	1870	16.44	1904	17.71	1939	18.99	1973	20.29	2008	21.62				
3900	16864	1816	14.17	1848	15.00	1881	16.28	1914	17.56	1947	18.86	1981	20.18	2014	21.51						
4000	17297	1863	15.29	1894	16.11	1926	17.43	1958	18.75	1990	20.08	2023	21.42								
OV	CFM	5		5.5		6		6.5		7		7.5		8		8.5		9		10	
RPM	BHP	RPM	BHP	RPM	BHP	RPM	BHP	RPM	BHP	RPM	BHP	RPM	BHP	RPM	BHP	RPM	BHP	RPM	BHP	RPM	BHP
1200	5189	1407	6.56																		
1300	5621	1410	6.85																		
1400	6054	1412	7.09	1478	7.99																
1500	6486	1420	7.39	1482	8.27	1545	9.21	1607	10.20												
1600	6919	1435	7.74	1493	8.62	1552	9.55	1610	10.52	1668	11.54	1726	12.60								
1700	7351	1453	8.14	1508	9.02	1563	9.94	1618	10.90	1673	11.91	1728	12.96	1783	14.05						
1800	7784	1473	8.58	1527	9.47	1580	10.39	1632	11.35	1684	12.35	1736	13.39	1787	14.47	1839	15.59	1891	16.76		
1900	8216	1496	9.06	1548	9.96	1599	10.89	1649	11.85	1699	12.85	1748	13.89	1797	14.96	1846	16.07	1895	17.22	1993	19.64
2000	8648	1521	9.57	1571	10.49	1620	11.43	1669	12.40	1716	13.41	1764	14.45	1811	15.52	1858	16.62	1904	17.76	1997	20.15
2100	9081	1545	10.10	1596	11.06	1644	12.02	1691	13.00	1737	14.02	1783	15.06	1828	16.13	1873	17.24	1917	18.38	2006	20.75
2200	9513	1572	10.69	1620	11.64	1668	12.64	1714	13.65	1759	14.67	1803	15.72	1847	16.80	1891	17.91	1934	19.05	2019	21.42
2300	9946	1600	11.33	1646	12.29	1692	13.28	1739	14.32	1783	15.37	1826	16.44	1869	17.53	1911	18.65	1953	19.79	2035	22.17
2400	10378	1630	12.02	1675	12.98	1719	13.98	1763	15.02	1807	16.10	1851	17.20	1892	18.30	1933	19.43	1973	20.59		
2500	10811	1661	12.74	1705	13.73	1747	14.74	1790	15.78	1832	16.86	1874	17.98	1917	19.13	1957	20.27	1996	21.44		
2600	11243	1693	13.49	1735	14.52	1777	15.55	1818	16.60	1859	17.68	1900	18.80	1940	19.96	1981	21.15	2020	22.34		
2700	11675	1725	14.28	1767	15.33	1808	16.41	1848	17.48	1887	18.57	1926	19.69	1966	20.85	2005	22.04				
2800	12108	1759	15.12	1799	16.19	1839	17.29	1878	18.41	1917	19.52	1955	20.65	1993	21.81	2031	23.00				
2900	12540	1793	16.00	1832	17.10	1871	18.21	1909	19.35	1948	20.52	1985	21.66	2021	22.83						
3000	12973	1828	16.93	1866	18.05	1904	19.19	1941	20.35	1978	21.53	2015	22.73								
3100	13405	1863	17.91	1901	19.05	1938	20.21	1974	21.39	2010	22.59										
3200	13837	1899	18.93	1936	20.10	1972	21.29	2008	22.49												
3300	14270	1936	20.00	1972	21.20	2007	22.41														
3400	14702	1973	21.11	2008	22.34																
3500	15135	2009	22.23																		

Performance shown is for installation type B&D - Free or ducted inlet, Ducted outlet.
 Power rating (BHP) does not include drive losses.
 Performance ratings do not include the effects of appurtenances in the airstream.

Model No. BIC 30

Wheel Diameter 30 In.

Outlet Area 5.38112 Sq. Ft.

OV	CFM	0		.5		1		1.5		2		2.5		3		3.5		4		4.5	
		RPM	BHP	RPM	BHP	RPM	BHP	RPM	BHP	RPM	BHP	RPM	BHP	RPM	BHP	RPM	BHP	RPM	BHP	RPM	BHP
1000	5381	422	0.38	539	0.73	639	1.22	731	1.78	816	2.41	899	3.12	983	3.93						
1100	5919	465	0.57	572	0.87	666	1.39	752	1.97	833	2.61	910	3.33	985	4.12	1061	4.99				
1200	6457	507	0.69	605	1.02	695	1.58	776	2.18	853	2.85	926	3.57	996	4.36	1065	5.22	1135	6.15		
1300	6995	549	0.86	639	1.19	726	1.80	802	2.43	875	3.11	945	3.85	1011	4.65	1076	5.50	1140	6.43	1204	7.42
1400	7534	591	1.07	674	1.39	758	2.04	831	2.70	900	3.40	967	4.17	1031	4.98	1092	5.84	1152	6.76	1212	7.74
1500	8072	634	1.29	711	1.61	791	2.31	860	3.00	926	3.73	990	4.51	1052	5.35	1111	6.23	1168	7.15	1224	8.13
1600	8610	676	1.52	748	1.86	823	2.59	891	3.33	954	4.09	1015	4.89	1074	5.74	1132	6.65	1187	7.59	1240	8.58
1700	9148	718	1.76	786	2.14	856	2.89	924	3.69	984	4.48	1042	5.32	1098	6.18	1154	7.10	1208	8.07	1259	9.07
1800	9686	760	2.06	824	2.45	890	3.23	957	4.08	1014	4.91	1070	5.77	1124	6.67	1177	7.59	1230	8.59	1280	9.61
1900	10224	803	2.39	863	2.79	925	3.60	990	4.50	1046	5.37	1100	6.26	1152	7.19	1203	8.14	1252	9.13	1302	10.19
2000	10762	845	2.71	902	3.16	961	4.01	1021	4.93	1079	5.87	1130	6.79	1181	7.75	1230	8.74	1277	9.74	1325	10.80
2100	11300	887	3.11	941	3.57	997	4.46	1054	5.40	1112	6.41	1162	7.36	1210	8.35	1258	9.37	1304	10.41	1349	11.48
2200	11838	929	3.53	981	4.01	1034	4.94	1088	5.91	1145	6.96	1194	7.97	1241	8.99	1287	10.03	1332	11.12	1376	12.21
2300	12377	972	4.08	1021	4.50	1072	5.46	1123	6.47	1176	7.54	1227	8.63	1273	9.68	1317	10.75	1360	11.86	1403	13.00
2400	12915	1014	4.59	1061	5.02	1109	6.02	1159	7.06	1209	8.16	1260	9.32	1305	10.41	1348	11.51	1390	12.65	1431	13.81
2500	13453	1056	5.12	1101	5.59	1148	6.63	1195	7.70	1243	8.82	1292	10.02	1338	11.18	1379	12.32	1420	13.49	1461	14.68
2600	13991	1098	5.69	1142	6.20	1186	7.28	1232	8.38	1277	9.53	1325	10.75	1371	12.00	1412	13.18	1452	14.38	1491	15.60
2700	14529	1141	6.37	1182	6.86	1225	7.97	1269	9.11	1313	10.30	1358	11.53	1404	12.84	1445	14.09	1484	15.32	1522	16.57
2800	15067	1183	7.02	1223	7.56	1264	8.72	1306	9.89	1348	11.11	1391	12.37	1435	13.70	1478	15.04	1516	16.31	1553	17.60
2900	15605	1225	7.70	1264	8.31	1304	9.51	1344	10.72	1385	11.97	1426	13.26	1468	14.61	1511	16.03	1549	17.36	1585	18.68
3000	16143	1267	8.52	1305	9.12	1343	10.35	1382	11.60	1421	12.88	1461	14.21	1501	15.58	1542	17.01	1582	18.46	1618	19.81
3100	16681	1309	9.28	1346	9.97	1383	11.25	1420	12.54	1458	13.85	1496	15.20	1535	16.60	1575	18.06	1615	19.58	1651	21.00
3200	17220	1352	10.21	1387	10.89	1423	12.20	1459	13.53	1496	14.88	1533	16.27	1570	17.69	1608	19.17	1647	20.70	1684	22.25
3300	17758	1394	11.06	1428	11.85	1463	13.21	1498	14.57	1533	15.96	1569	17.38	1605	18.84	1642	20.33	1679	21.89	1717	23.51
3400	18296	1436	12.10	1469	12.88	1503	14.27	1537	15.68	1571	17.10	1606	18.56	1641	20.04	1676	21.57	1712	23.14		
3500	18834	1478	13.20	1510	13.96	1543	15.40	1576	16.84	1609	18.30	1643	19.79	1677	21.31	1711	22.86				
3600	19372	1521	14.21	1552	15.11	1584	16.58	1616	18.07	1648	19.57	1681	21.09	1713	22.64						
3700	19910	1563	15.43	1593	16.32	1624	17.83	1655	19.36	1687	20.89	1718	22.45								
3800	20448	1605	16.57	1635	17.59	1665	19.15	1695	20.71	1726	22.29										
3900	20986	1647	17.91	1676	18.93	1705	20.53	1735	22.13												
4000	21524	1690	19.33	1718	20.34																

OV	CFM	5		5.5		6		6.5		7		7.5		8		8.5		9		10	
		RPM	BHP	RPM	BHP	RPM	BHP	RPM	BHP	RPM	BHP	RPM	BHP	RPM	BHP	RPM	BHP	RPM	BHP	RPM	BHP
1200	6457																				
1300	6995	1268	8.48																		
1400	7534	1271	8.79	1330	9.90																
1500	8072	1280	9.17	1335	10.26	1390	11.41	1446	12.63												
1600	8610	1293	9.61	1345	10.70	1397	11.84	1449	13.04	1501	14.30	1553	15.61								
1700	9148	1310	10.11	1360	11.20	1409	12.34	1458	13.53	1507	14.77	1556	16.07	1605	17.42	1654	18.82				
1800	9686	1329	10.67	1377	11.77	1424	12.91	1471	14.10	1517	15.34	1563	16.62	1609	17.94	1656	19.33	1702	20.76		
1900	10224	1350	11.28	1396	12.39	1442	13.54	1487	14.73	1531	15.97	1575	17.25	1619	18.57	1663	19.94	1706	21.35		
2000	10762	1372	11.92	1418	13.06	1461	14.22	1505	15.43	1548	16.67	1590	17.95	1632	19.28	1674	20.64	1716	22.04		
2100	11300	1394	12.59	1440	13.77	1483	14.96	1525	16.18	1566	17.43	1607	18.72	1648	20.05	1688	21.24	1728	22.82		
2200	11838	1419	13.33	1462	14.51	1505	15.74	1547	16.99	1587	18.26	1627	19.56	1666	20.90	1705	22.27				
2300	12377	1445	14.14	1486	15.32	1527	16.55	1569	17.83	1609	19.15	1648	20.46	1686	21.81	1723	23.20				
2400	12915	1473	15.01	1512	16.20	1552	17.44	1591	18.72	1631	20.05	1670	21.42	1707	22.79	1744	24.19				
2500	13453	1501	15.90	1540	17.15	1578	18.39	1616	19.68	1654	21.01	1691	22.39	1729	23.82						
2600	13991	1529	16.85	1568	18.13	1605	19.42	1642	20.72	1678	22.06	1714	23.43								
2700	14529	1559	17.85	1596	19.15	1633	20.49	1669	21.82	1704	23.18										
2800	15067	1590	18.90	1626	20.23	1661	21.59	1697	22.98	1731	24.37										
2900	15605	1621	20.02	1656	21.37	1691	22.76	1725	24.17												
3000	16143	1653	21.18	1687	22.57	1721	23.98														
3100	16681	1685	22.41	1718	23.84																
3200	17220	1718	23.70																		

Performance shown is for installation type B&D - Free or ducted inlet, Ducted outlet.
 Power rating (BHP) does not include drive losses.
 Performance ratings do not include the effects of appurtenances in the airstream.

Model No. BIC 33

Wheel Diameter 33 In.

Outlet Area 6.5103 Sq. Ft.

OV	CFM	0		.5		1		1.5		2		2.5		3		3.5		4		4.5	
		RPM	BHP	RPM	BHP	RPM	BHP	RPM	BHP	RPM	BHP	RPM	BHP	RPM	BHP	RPM	BHP	RPM	BHP	RPM	BHP
1000	6510	375	0.45	482	0.88	573	1.47	657	2.15	734	2.93	811	3.81	887	4.80	953	5.74				
1100	7161	413	0.66	512	1.04	597	1.67	676	2.38	749	3.16	819	4.04	888	5.01	958	6.09				
1200	7812	450	0.82	540	1.22	622	1.90	696	2.63	766	3.44	832	4.33	897	5.30	960	6.35	1024	7.50		
1300	8463	488	1.02	570	1.42	649	2.15	719	2.92	786	3.75	849	4.66	910	5.64	969	6.69	1027	7.82	1086	9.04
1400	9114	525	1.26	601	1.65	678	2.44	744	3.24	807	4.10	868	5.04	926	6.03	982	7.08	1037	8.21	1091	9.42
1500	9765	563	1.52	634	1.91	707	2.76	770	3.60	830	4.49	888	5.44	945	6.46	998	7.54	1050	8.67	1102	9.87
1600	10416	601	1.80	666	2.21	736	3.09	797	3.99	855	4.92	910	5.89	964	6.93	1016	8.04	1066	9.19	1115	10.40
1700	11068	638	2.09	700	2.54	765	3.45	826	4.42	881	5.38	934	6.39	985	7.45	1036	8.58	1085	9.76	1132	10.98
1800	11719	676	2.41	734	2.90	795	3.85	855	4.88	908	5.88	959	6.94	1008	8.02	1056	9.16	1104	10.38	1150	11.62
1900	12370	713	2.80	768	3.30	825	4.29	885	5.39	936	6.43	984	7.52	1032	8.65	1078	9.80	1124	11.02	1170	12.32
2000	13021	751	3.23	803	3.74	857	4.77	913	5.89	964	7.02	1011	8.14	1057	9.31	1102	10.51	1146	11.74	1189	13.03
2100	13672	788	3.69	838	4.22	889	5.30	942	6.45	993	7.66	1039	8.82	1083	10.02	1127	11.26	1169	12.52	1210	13.83
2200	14323	826	4.15	873	4.74	922	5.86	972	7.05	1023	8.33	1068	9.54	1110	10.78	1152	12.05	1193	13.37	1233	14.69
2300	14974	863	4.79	909	5.31	955	6.48	1002	7.70	1051	9.01	1097	10.31	1138	11.59	1179	12.89	1218	14.24	1257	15.63
2400	15625	901	5.38	944	5.93	989	7.14	1034	8.40	1080	9.74	1126	11.13	1167	12.45	1206	13.80	1244	15.18	1282	16.60
2500	16276	938	6.01	980	6.60	1022	7.85	1066	9.15	1110	10.52	1155	11.98	1196	13.37	1234	14.76	1271	16.17	1308	17.62
2600	16927	976	6.76	1016	7.32	1057	8.62	1098	9.96	1140	11.36	1184	12.84	1225	14.34	1262	15.77	1299	17.23	1334	18.71
2700	17578	1014	7.48	1052	8.09	1091	9.44	1131	10.82	1171	12.26	1213	13.77	1255	15.37	1291	16.85	1327	18.34	1361	19.86
2800	18229	1051	8.24	1088	8.92	1126	10.31	1164	11.74	1203	13.21	1242	14.75	1283	16.37	1321	17.98	1355	19.52	1389	21.08
2900	18880	1089	9.15	1124	9.80	1161	11.25	1198	12.72	1235	14.23	1273	15.80	1311	17.45	1351	19.17	1384	20.75	1418	22.36
3000	19531	1126	10.00	1161	10.75	1196	12.24	1231	13.76	1267	15.31	1304	16.92	1341	18.59	1379	20.34	1414	22.05	1446	23.70
3100	20182	1164	10.90	1197	11.75	1231	13.29	1265	14.86	1300	16.45	1335	18.10	1371	19.80	1407	21.57	1444	23.41	1476	25.11
3200	20833	1201	11.98	1233	12.82	1266	14.41	1299	16.02	1333	17.66	1367	19.34	1401	21.08	1436	22.87	1472	24.75	1505	26.58
3300	21484	1239	13.14	1270	13.96	1302	15.60	1334	17.25	1366	18.94	1399	20.66	1432	22.43	1466	24.25	1500	26.15	1535	28.13
3400	22135	1276	14.20	1307	15.17	1337	16.85	1369	18.55	1400	20.28	1432	22.04	1464	23.85	1496	25.71	1529	27.62	1563	29.62
3500	22786	1314	15.49	1343	16.44	1373	18.17	1403	19.92	1434	21.69	1465	23.50	1496	25.34	1527	27.23	1559	29.18	1591	31.20
3600	23437	1351	16.68	1380	17.79	1409	19.57	1438	21.36	1468	23.18	1498	25.03	1528	26.91	1558	28.84	1589	30.82	1620	32.86
3700	24088	1389	18.11	1417	19.21	1445	21.04	1473	22.88	1502	24.75	1531	26.64	1560	28.56	1590	30.52	1620	32.53	1650	34.60
3800	24739	1426	19.62	1453	20.70	1481	22.58	1509	24.48	1537	26.38	1565	28.32	1593	30.28	1622	32.29	1651	34.33	1680	36.43
3900	25390	1464	21.02	1490	22.28	1517	24.21	1544	26.15	1571	28.10	1599	30.08	1626	32.09	1654	34.13	1682	36.21		
4000	26041	1501	22.68	1527	23.93	1553	25.91	1580	27.90	1606	29.90	1633	31.93	1660	33.98	1687	36.06				

OV	CFM	5		5.5		6		6.5		7		7.5		8		8.5		9		10	
		RPM	BHP	RPM	BHP	RPM	BHP	RPM	BHP	RPM	BHP	RPM	BHP	RPM	BHP	RPM	BHP	RPM	BHP	RPM	BHP
1200	7812	1140	9.86																		
1300	8463	1145	10.36																		
1400	9114	1146	10.70	1200	12.07																
1500	9765	1152	11.15	1203	12.49	1254	13.92														
1600	10416	1164	11.67	1211	13.01	1259	14.41	1306	15.89	1354	17.44										
1700	11068	1178	12.26	1223	13.60	1268	15.00	1313	16.46	1358	17.98	1402	19.58	1448	21.24						
1800	11719	1194	12.92	1238	14.26	1281	15.66	1324	17.12	1366	18.64	1408	20.22	1451	21.86	1493	23.56	1535	25.33		
1900	12370	1212	13.63	1255	14.99	1296	16.40	1337	17.87	1378	19.39	1418	20.96	1458	22.58	1498	24.27	1538	26.01	1618	29.68
2000	13021	1232	14.41	1273	15.79	1313	17.21	1353	18.69	1392	20.21	1430	21.78	1469	23.41	1507	25.09	1545	26.81	1621	30.44
2100	13672	1251	15.19	1293	16.64	1332	18.09	1370	19.58	1408	21.11	1445	22.69	1482	24.32	1519	26.00	1555	27.72	1628	31.33
2200	14323	1273	16.07	1312	17.51	1352	19.02	1389	20.54	1426	22.09	1462	23.68	1497	25.32	1533	27.00	1568	28.73	1638	32.33
2300	14974	1295	17.02	1333	18.46	1371	19.97	1409	21.55	1445	23.13	1480	24.74	1515	26.40	1549	28.09	1583	29.82	1650	33.43
2400	15625	1319	18.04	1356	19.50	1392	21.01	1428	22.58	1464	24.22	1499	25.88	1533	27.55	1566	29.26	1599	31.01	1665	34.62
2500	16276	1344	19.12	1380	20.62	1414	22.14	1449	23.72	1484	25.35	1519	27.05	1553	28.78	1585	30.51	1617	32.27	1681	35.91
2600	16927	1370	20.23	1404	21.80	1438	23.35	1472	24.94	1505	26.58	1539	28.27	1572	30.02	1605	31.83	1637	33.61		
2700	17578	1396	21.41	1429	23.00	1463	24.63	1496	26.25	1528	27.90	1560	29.59	1592	31.34	1624	33.15	1656	35.02		
2800	18229	1422	22.66	1455	24.28	1488	25.94	1520	27.63	1552	29.30	1583	31.01	1614	32.77	1645	34.58				
2900	18880	1450	23.98	1482	25.63	1514	27.32	1545	29.04	1576	30.79	1606	32.52	1636	34.30	1666	36.11				
3000	19531	1478	25.36	1509	27.05	1540	28.77	1571	30.52	1601	32.31	1631	34.12	1660	35.91						
3100	20182	1507	26.82	1537	28.55	1567	30.30	1597	32.08	1627	33.90	1656	35.75	1685	37.61						
3200	20833	1536	28.34	1565	30.11	1595	31.90	1624	33.72	1653	35.56	1681	37.44								
3300	21484	1565	29.93	1594	31.74	1623	33.58	1651	35.43	1679	37.31										
3400	22135	1594	31.59	1623	33.45	1652	35.33	1679	37.22												
3500	22786	1624	33.29	1653	35.23	1680	37.15														
3600	23437	1652	34.97	1682	37.08																
3700	24088	1680	36.74																		

Performance shown is for installation type B&D - Free or ducted inlet, Ducted outlet.
 Power rating (BHP) does not include drive losses.
 Performance ratings do not include the effects of appurtenances in the airstream.

Model No. BIC 37

Wheel Diameter 36.5 In.

Outlet Area 7.9671 Sq. Ft.

OV	CFM	0		.5		1		1.5		2		2.5		3		3.5		4		4.5	
		RPM	BHP	RPM	BHP	RPM	BHP	RPM	BHP	RPM	BHP	RPM	BHP	RPM	BHP	RPM	BHP	RPM	BHP	RPM	BHP
1000	7967	347	0.57	443	1.09	525	1.80	601	2.63	671	3.57	739	4.62	808	5.82						
1100	8764	382	0.84	470	1.29	547	2.06	619	2.91	685	3.87	748	4.92	810	6.09	872	7.39				
1200	9561	417	1.03	497	1.51	571	2.34	638	3.23	702	4.22	761	5.29	819	6.45	876	7.72	933	9.11		
1300	10357	451	1.27	525	1.76	597	2.66	660	3.59	720	4.60	777	5.70	831	6.88	885	8.15	937	9.51	990	10.98
1400	11154	486	1.59	554	2.06	623	3.02	683	4.00	739	5.03	795	6.17	847	7.37	897	8.65	947	10.01	996	11.46
1500	11951	521	1.91	584	2.39	650	3.42	707	4.44	761	5.53	813	6.67	865	7.92	913	9.22	960	10.59	1006	12.04
1600	12747	556	2.25	615	2.75	677	3.83	733	4.93	784	6.06	834	7.24	883	8.50	930	9.85	975	11.24	1019	12.70
1700	13544	590	2.60	646	3.17	704	4.28	759	5.46	809	6.64	857	7.88	903	9.15	948	10.51	993	11.95	1035	13.43
1800	14341	625	3.05	677	3.62	732	4.79	786	6.05	834	7.27	880	8.55	924	9.87	967	11.24	1011	12.71	1052	14.23
1900	15137	660	3.53	709	4.13	760	5.34	813	6.67	860	7.95	904	9.27	947	10.65	988	12.05	1029	13.52	1070	15.09
2000	15934	695	4.02	741	4.68	790	5.94	840	7.30	887	8.69	929	10.06	970	11.47	1011	12.94	1050	14.43	1089	15.99
2100	16731	729	4.60	774	5.28	820	6.60	867	8.00	914	9.49	955	10.90	995	12.36	1034	13.87	1072	15.41	1109	16.99
2200	17528	764	5.23	806	5.94	850	7.31	895	8.76	941	10.31	982	11.81	1020	13.31	1058	14.86	1095	16.47	1131	18.08
2300	18324	799	6.04	839	6.66	881	8.09	923	9.57	967	11.16	1009	12.77	1046	14.33	1082	15.92	1118	17.56	1154	19.25
2400	19121	833	6.79	872	7.44	912	8.92	953	10.45	994	12.08	1036	13.80	1073	15.41	1108	17.05	1143	18.73	1177	20.45
2500	19918	868	7.59	905	8.28	944	9.82	982	11.40	1022	13.06	1062	14.83	1100	16.56	1134	18.25	1168	19.97	1201	21.73
2600	20714	903	8.43	939	9.18	975	10.78	1012	12.41	1050	14.12	1089	15.91	1127	17.77	1161	19.52	1193	21.29	1225	23.09
2700	21511	938	9.44	972	10.16	1007	11.81	1043	13.50	1079	15.25	1116	17.08	1154	19.02	1188	20.86	1219	22.69	1251	24.54
2800	22308	972	10.40	1005	11.20	1039	12.91	1074	14.65	1108	16.45	1144	18.32	1180	20.28	1215	22.28	1246	24.16	1277	26.06
2900	23105	1007	11.40	1039	12.32	1072	14.08	1105	15.88	1138	17.73	1172	19.64	1207	21.63	1242	23.73	1273	25.71	1303	27.66
3000	23901	1042	12.62	1073	13.51	1104	15.33	1136	17.18	1168	19.08	1201	21.04	1234	23.07	1268	25.19	1301	27.33	1330	29.34
3100	24698	1077	13.75	1106	14.77	1137	16.66	1168	18.57	1199	20.52	1230	22.52	1262	24.59	1295	26.74	1328	28.99	1357	31.10
3200	25495	1111	15.13	1140	16.12	1170	18.07	1199	20.03	1229	22.04	1260	24.09	1291	26.19	1322	28.38	1354	30.65	1385	32.95
3300	26291	1146	16.38	1174	17.56	1203	19.56	1231	21.58	1260	23.64	1290	25.74	1320	27.89	1350	30.11	1380	32.41	1411	34.81
3400	27088	1181	17.92	1208	19.08	1236	21.14	1263	23.22	1292	25.33	1320	27.48	1349	29.68	1378	31.94	1407	34.27	1437	36.69
3500	27885	1215	19.55	1242	20.68	1269	22.80	1296	24.94	1323	27.11	1351	29.31	1379	31.56	1407	33.86	1435	36.22		
3600	28682	1250	21.05	1276	22.38	1302	24.56	1328	26.76	1355	28.98	1381	31.23	1408	33.53	1436	35.88				
3700	29478	1285	22.85	1310	24.17	1335	26.41	1361	28.67	1386	30.94	1412	33.25	1439	35.60						
3800	30275	1320	24.55	1344	26.06	1369	28.36	1393	30.67	1418	33.01	1444	35.37								
3900	31072	1354	26.54	1378	28.05	1402	30.41	1426	32.78												
4000	31868	1389	28.63	1412	30.13	1435	32.55														

OV	CFM	5		5.5		6		6.5		7		7.5		8		8.5		9		10	
		RPM	BHP	RPM	BHP	RPM	BHP	RPM	BHP	RPM	BHP	RPM	BHP	RPM	BHP	RPM	BHP	RPM	BHP	RPM	BHP
1300	10357	1043	12.55																		
1400	11154	1045	13.01	1094	14.65																
1500	11951	1052	13.57	1097	15.19	1143	16.90	1188	18.70												
1600	12747	1063	14.23	1106	15.84	1149	17.53	1191	19.31	1234	21.16	1277	23.11								
1700	13544	1076	14.97	1117	16.59	1158	18.27	1198	20.03	1239	21.87	1279	23.79	1319	25.78	1359	27.86				
1800	14341	1092	15.80	1132	17.43	1170	19.12	1209	20.88	1247	22.70	1285	24.60	1323	26.56	1361	28.62	1399	30.74		
1900	15137	1110	16.70	1148	18.34	1185	20.05	1222	21.81	1258	23.64	1295	25.53	1331	27.49	1367	29.52	1403	31.61		
2000	15934	1128	17.65	1165	19.34	1201	21.06	1237	22.84	1272	24.68	1307	26.58	1342	28.54	1376	30.55	1410	32.64		
2100	16731	1146	18.64	1183	20.38	1219	22.16	1254	23.96	1288	25.81	1321	27.72	1354	29.69	1387	31.71	1420	33.79		
2200	17528	1166	19.74	1202	21.48	1237	23.30	1271	25.16	1304	27.04	1337	28.97	1369	30.94	1401	32.97	1433	35.06		
2300	18324	1188	20.94	1222	22.68	1255	24.50	1289	26.40	1323	28.35	1354	30.30	1386	32.29	1417	34.34	1447	36.44		
2400	19121	1210	22.22	1243	23.99	1276	25.82	1308	27.71	1340	29.68	1373	31.72	1403	33.74	1433	35.81				
2500	19918	1233	23.55	1266	25.39	1297	27.24	1328	29.14	1359	31.11	1390	33.15	1421	35.27						
2600	20714	1257	24.94	1289	26.84	1319	28.75	1349	30.68	1379	32.65	1409	34.69	1439	36.80						
2700	21511	1282	26.42	1312	28.36	1342	30.34	1372	32.31	1401	34.32	1430	36.37								
2800	22308	1307	27.99	1336	29.96	1366	31.97	1395	34.03	1423	36.08										
2900	23105	1332	29.64	1361	31.65	1390	33.70	1418	35.79	1446	37.93										
3000	23901	1358	31.37	1387	33.43	1414	35.52	1442	37.64												
3100	24698	1385	33.19	1413	35.30	1440	37.43														
3200	25495	1412	35.09	1439	37.25																
3300	26291	1439	37.08																		

Performance shown is for installation type B&D - Free or ducted inlet, Ducted outlet.
 Power rating (BHP) does not include drive losses.
 Performance ratings do not include the effects of apertures in the airstream.

Model No. BIC 40

Wheel Diameter 40.25 In.

Outlet Area 9.6 Sq. Ft.

OV	CFM	0		.5		1		1.5		2		2.5		3		3.5		4		4.5	
		RPM	BHP	RPM	BHP	RPM	BHP	RPM	BHP	RPM	BHP	RPM	BHP	RPM	BHP	RPM	BHP	RPM	BHP	RPM	BHP
1000	9600	312	0.67	400	1.30	474	2.17	543	3.17	607	4.31	670	5.60	733	7.05	789	8.49				
1100	10560	343	0.99	424	1.54	494	2.47	559	3.51	619	4.66	677	5.95	734	7.37	791	8.95				
1200	11520	374	1.23	448	1.80	516	2.81	576	3.88	634	5.08	689	6.38	741	7.79	793	9.34	846	11.03		
1300	12480	406	1.51	473	2.11	538	3.19	596	4.31	651	5.54	703	6.87	752	8.30	801	9.84	849	11.51	897	13.29
1400	13440	437	1.88	499	2.45	562	3.61	616	4.79	668	6.05	719	7.43	766	8.88	812	10.44	857	12.09	902	13.86
1500	14400	468	2.26	526	2.84	586	4.09	638	5.32	688	6.64	735	8.02	782	9.54	826	11.11	869	12.77	911	14.54
1600	15360	499	2.69	553	3.28	610	4.58	661	5.90	708	7.27	754	8.70	798	10.23	841	11.86	882	13.54	923	15.32
1700	16320	530	3.12	581	3.77	634	5.12	685	6.54	730	7.96	774	9.45	816	11.00	857	12.66	898	14.39	936	16.19
1800	17280	562	3.60	610	4.31	659	5.71	709	7.23	752	8.71	794	10.26	835	11.85	874	13.52	914	15.31	952	17.14
1900	18240	593	4.18	638	4.91	685	6.37	734	7.98	776	9.52	816	11.12	855	12.79	893	14.48	930	16.27	968	18.17
2000	19200	624	4.82	667	5.56	711	7.09	757	8.73	800	10.40	838	12.05	876	13.76	913	15.53	949	17.34	984	19.24
2100	20160	655	5.44	696	6.28	738	7.87	781	9.56	824	11.35	861	13.06	898	14.82	934	16.65	968	18.51	1002	20.42
2200	21120	686	6.19	725	7.06	765	8.71	806	10.46	848	12.35	885	14.13	920	15.95	955	17.82	989	19.77	1021	21.71
2300	22080	718	7.15	755	7.91	793	9.63	832	11.43	872	13.35	909	15.28	944	17.16	977	19.08	1010	21.06	1042	23.10
2400	23040	749	8.04	784	8.83	821	10.62	858	12.47	896	14.43	934	16.50	967	18.45	1000	20.42	1031	22.45	1062	24.55
2500	24000	780	8.98	814	9.83	849	11.68	885	13.59	921	15.60	958	17.75	991	19.81	1023	21.85	1054	23.93	1084	26.07
2600	24960	811	10.10	844	10.90	878	12.82	912	14.80	946	16.86	982	19.03	1016	21.26	1047	23.36	1077	25.50	1106	27.68
2700	25920	843	11.17	874	12.05	906	14.04	939	16.08	972	18.19	1006	20.41	1040	22.76	1071	24.96	1100	27.16	1128	29.40
2800	26880	874	12.30	904	13.29	935	15.35	966	17.45	998	19.62	1031	21.88	1064	24.26	1095	26.64	1124	28.91	1152	31.21
2900	27840	905	13.49	934	14.61	964	16.74	994	18.91	1025	21.14	1056	23.45	1088	25.86	1120	28.40	1148	30.75	1175	33.11
3000	28800	936	14.93	964	16.02	993	18.22	1022	20.45	1052	22.74	1082	25.11	1112	27.56	1143	30.13	1173	32.68	1199	35.11
3100	29760	967	16.27	995	17.52	1023	19.79	1051	22.10	1079	24.45	1108	26.86	1137	29.37	1167	31.97	1197	34.70	1224	37.21
3200	30720	999	17.89	1025	19.12	1052	21.46	1079	23.83	1107	26.25	1135	28.72	1163	31.27	1191	33.92	1221	36.67	1248	39.40
3300	31680	1030	19.38	1055	20.82	1082	23.23	1108	25.67	1135	28.15	1161	30.68	1189	33.29	1216	35.97	1244	38.76	1273	41.66
3400	32640	1061	21.20	1086	22.61	1111	25.10	1137	27.61	1163	30.15	1189	32.75	1215	35.40	1242	38.14	1269	40.96	1296	43.89
3500	33600	1092	23.13	1116	24.52	1141	27.07	1166	29.65	1191	32.26	1216	34.92	1241	37.63	1267	40.41	1293	43.28	1320	46.25
3600	34560	1123	24.91	1147	26.53	1171	29.15	1195	31.80	1219	34.48	1244	37.20	1268	39.97	1293	42.81	1318	45.72	1344	48.72
3700	35520	1155	27.04	1177	28.65	1201	31.35	1224	34.06	1248	36.81	1271	39.60	1295	42.43	1320	45.32	1344	48.28	1369	51.32
3800	36480	1186	29.29	1208	30.88	1231	33.65	1253	36.44	1276	39.26	1299	42.11	1323	45.00	1346	47.95	1370	50.96		
3900	37440	1217	31.39	1238	33.23	1261	36.07	1283	38.93	1305	41.82	1328	44.73	1350	47.69						
4000	38400	1248	33.87	1269	35.70	1291	38.62	1312	41.55	1334	44.50	1356	47.48								

OV	CFM	5		5.5		6		6.5		7		7.5		8		8.5		9		10	
		RPM	BHP	RPM	BHP	RPM	BHP	RPM	BHP	RPM	BHP	RPM	BHP	RPM	BHP	RPM	BHP	RPM	BHP	RPM	BHP
1400	13440	947	15.74	991	17.74																
1500	14400	953	16.40	994	18.37	1036	20.45	1078	22.65												
1600	15360	962	17.18	1002	19.14	1041	21.20	1080	23.36	1119	25.63										
1700	16320	974	18.06	1012	20.02	1049	22.07	1085	24.21	1122	26.45	1159	28.78	1196	31.22						
1800	17280	988	19.04	1024	21.02	1059	23.07	1095	25.21	1129	27.43	1164	29.74	1199	32.14	1233	34.63	1268	37.22		
1900	18240	1003	20.11	1038	22.10	1072	24.17	1106	26.32	1139	28.54	1172	30.84	1205	33.22	1238	35.70	1271	38.25	1337	43.62
2000	19200	1020	21.25	1054	23.29	1087	25.38	1119	27.54	1151	29.77	1183	32.08	1215	34.46	1246	36.92	1277	39.45	1340	44.76
2100	20160	1036	22.43	1070	24.55	1102	26.68	1134	28.87	1165	31.12	1195	33.44	1226	35.82	1256	38.28	1286	40.81	1346	46.09
2200	21120	1054	23.73	1086	25.84	1119	28.06	1150	30.29	1180	32.57	1209	34.91	1239	37.31	1268	39.78	1297	42.31	1354	47.58
2300	22080	1073	25.15	1104	27.27	1135	29.48	1166	31.79	1196	34.13	1225	36.49	1253	38.92	1282	41.40	1309	43.95	1365	49.22
2400	23040	1093	26.67	1123	28.82	1153	31.03	1182	33.33	1212	35.73	1241	38.18	1269	40.63	1296	43.14	1323	45.71		
2500	24000	1114	28.27	1143	30.47	1172	32.72	1200	35.03	1229	37.42	1257	39.90	1285	42.46	1312	45.00	1339	47.59		
2600	24960	1135	29.92	1164	32.22	1191	34.51	1219	36.85	1246	39.25	1274	41.73	1301	44.30	1329	46.96	1355	49.59		
2700	25920	1157	31.68	1184	34.02	1212	36.42	1239	38.79	1265	41.22	1292	43.71	1318	46.27	1344	48.92	1371	51.66		
2800	26880	1179	33.54	1206	35.92	1233	38.36	1259	40.85	1285	43.31	1311	45.83	1336	48.40	1362	51.05				
2900	27840	1202	35.50	1228	37.93	1254	40.41	1280	42.94	1306	45.53	1331	48.08	1355	50.68						
3000	28800	1225	37.56	1251	40.05	1276	42.57	1302	45.15	1326	47.77	1351	50.45								
3100	29760	1249	39.72	1274	42.27	1299	44.85	1324	47.47	1348	50.14	1372	52.85								
3200	30720	1273	41.99	1298	44.59	1322	47.23	1346	49.90	1370	52.62										
3300	31680	1298	44.35	1322	47.03	1346	49.72	1369	52.45												
3400	32640	1322	46.82	1346	49.57	1369	52.33														
3500	33600	1347	49.32	1371	52.21																
3600	34560	1370	51.81																		

Performance shown is for installation type B&D - Free or ducted inlet, Ducted outlet.
 Power rating (BHP) does not include drive losses.
 Performance ratings do not include the effects of apertures in the airstream.



Model No. BIC 45

Wheel Diameter 44.5 In.

Outlet Area 11.7773 Sq. Ft.

OV	CFM	0		.5		1		1.5		2		2.5		3		3.5		4		4.5	
		RPM	BHP	RPM	BHP	RPM	BHP	RPM	BHP	RPM	BHP	RPM	BHP	RPM	BHP	RPM	BHP	RPM	BHP	RPM	BHP
1000	11777	250	0.70	327	1.46	396	2.56	460	3.78												
1100	12955	275	1.31	346	1.71	411	2.88	470	4.16	528	5.58										
1200	14133	300	1.56	365	1.99	427	3.24	482	4.59	535	6.04	590	7.66								
1300	15310	325	1.86	385	2.32	443	3.62	496	5.05	546	6.57	595	8.19	646	9.99						
1400	16488	350	2.17	406	2.69	460	4.06	512	5.57	558	7.14	604	8.82	650	10.60	697	12.56				
1500	17666	375	2.50	427	3.12	479	4.55	528	6.12	573	7.77	616	9.52	659	11.33	701	13.26	746	15.37		
1600	18844	400	2.86	449	3.60	498	5.08	544	6.70	588	8.46	629	10.25	670	12.14	709	14.09	750	16.17	791	18.41
1700	20021	425	3.33	471	4.13	516	5.65	561	7.35	604	9.19	644	11.05	682	12.99	720	15.02	757	17.11	795	19.32
1800	21199	451	3.88	494	4.72	536	6.29	579	8.07	620	9.94	659	11.93	696	13.91	732	16.01	768	18.17	803	20.39
1900	22377	476	4.46	517	5.37	557	7.00	598	8.85	637	10.76	676	12.84	711	14.91	745	17.05	779	19.29	813	21.56
2000	23555	501	5.14	540	6.08	578	7.78	617	9.66	655	11.66	691	13.77	727	15.99	760	18.17	792	20.45	825	22.83
2100	24732	526	5.82	563	6.87	599	8.63	636	10.55	673	12.64	708	14.78	743	17.08	776	19.38	807	21.70	838	24.11
2200	25910	551	6.63	587	7.72	621	9.56	656	11.52	692	13.69	726	15.88	759	18.21	792	20.66	822	23.05	852	25.50
2300	27088	576	7.51	610	8.64	643	10.56	676	12.57	710	14.76	744	17.07	776	19.43	807	21.93	838	24.47	867	26.98
2400	28266	601	8.46	634	9.64	666	11.63	697	13.71	730	15.93	762	18.34	793	20.74	823	23.27	854	25.94	882	28.56
2500	29443	626	9.46	658	10.73	688	12.79	719	14.93	749	17.19	781	19.66	811	22.15	840	24.71	870	27.41	899	30.22
2600	30621	651	10.65	681	11.89	711	14.04	740	16.24	770	18.55	800	21.04	830	23.65	858	26.26	886	28.98	914	31.83
2700	31799	676	11.80	705	13.14	734	15.37	762	17.64	790	20.01	819	22.52	849	25.24	876	27.90	903	30.67	930	33.55
2800	32976	701	13.03	729	14.48	757	16.79	784	19.13	811	21.56	839	24.11	867	26.84	895	29.65	921	32.46	947	35.37
2900	34154	726	14.33	753	15.92	780	18.30	807	20.72	833	23.21	859	25.81	886	28.56	914	31.50	939	34.36	964	37.31
3000	35332	751	15.87	778	17.45	804	19.92	829	22.41	854	24.96	880	27.61	906	30.40	932	33.36	958	36.36	982	39.36
3100	36510	776	17.34	802	19.08	827	21.63	852	24.20	876	26.82	901	29.52	925	32.35	951	35.33	977	38.48	1000	41.53
3200	37687	801	19.07	826	20.81	850	23.44	874	26.09	898	28.78	922	31.55	946	34.41	970	37.42	995	40.60	1019	43.81
3300	38865	826	20.72	850	22.65	874	25.37	897	28.09	920	30.85	943	33.68	967	36.60	990	39.64	1014	42.83	1038	46.20
3400	40043	851	22.66	875	24.60	898	27.40	920	30.20	943	33.04	965	35.93	987	38.91	1010	41.99	1033	45.20	1056	48.59
3500	41221	876	24.72	899	26.66	922	29.55	944	32.43	965	35.34	987	38.30	1009	41.34	1031	44.46	1053	47.71	1075	51.11
3600	42398	901	26.68	923	28.84	945	31.81	967	34.77	988	37.76	1009	40.79	1030	43.88	1051	47.06	1073	50.35	1094	53.76
3700	43576	926	28.97	948	31.14	969	34.19	990	37.23	1011	40.30	1031	43.40	1052	46.56	1072	49.79	1093	53.13	1114	56.58
3800	44754	951	31.15	972	33.56	993	36.69	1014	39.82	1034	42.96	1054	46.14	1074	49.36	1094	52.66	1114	56.04	1134	59.52
3900	45931	976	33.68	997	36.10	1017	39.32	1037	42.53	1057	45.75	1076	49.00	1096	52.29	1115	55.65	1135	59.08	1154	62.61
4000	47109	1001	36.34	1021	38.78	1041	42.09	1061	45.38	1080	48.68	1099	52.00	1118	55.36	1137	58.78	1156	62.27	1175	65.85

OV	CFM	5		5.5		6		6.5		7		7.5		8		8.5		9		10	
		RPM	BHP	RPM	BHP	RPM	BHP	RPM	BHP	RPM	BHP	RPM	BHP	RPM	BHP	RPM	BHP	RPM	BHP	RPM	BHP
1500	17666																				
1600	18844																				
1700	20021	834	21.69																		
1800	21199	839	22.72	875	25.20	913	27.85														
1900	22377	847	23.91	881	26.37	915	28.95	950	31.70												
2000	23555	857	25.22	889	27.68	921	30.25	953	32.95	987	35.77										
2100	24732	869	26.62	899	29.13	929	31.71	960	34.39	991	37.18	1022	40.10	1054	43.17						
2200	25910	881	28.04	911	30.67	940	33.30	968	35.99	998	38.78	1027	41.67	1057	44.67	1087	47.80	1118	51.09		
2300	27088	895	29.56	923	32.23	951	34.99	979	37.73	1007	40.53	1035	43.42	1063	46.40	1091	49.50	1120	52.71		
2400	28266	910	31.19	937	33.89	964	36.68	991	39.56	1018	42.42	1044	45.33	1071	48.32	1097	51.40	1124	54.58		
2500	29443	925	32.91	952	35.67	977	38.49	1003	41.40	1030	44.39	1055	47.37	1081	50.39	1106	53.48	1132	56.65		
2600	30621	942	34.73	967	37.55	992	40.42	1017	43.36	1042	46.38	1067	49.49	1092	52.59	1116	55.72	1141	58.90		
2700	31799	957	36.55	983	39.52	1008	42.46	1032	45.44	1056	48.50	1080	51.63	1104	54.84	1128	58.08	1151	61.31		
2800	32976	973	38.40	999	41.55	1024	44.59	1047	47.64	1070	50.74	1094	53.91	1117	57.14	1140	60.46	1163	63.84		
2900	34154	989	40.36	1015	43.54	1040	46.83	1063	49.94	1086	53.10	1108	56.32	1131	59.59	1153	62.94	1175	66.36		
3000	35332	1006	42.45	1031	45.65	1055	48.96	1079	52.35	1102	55.57	1124	58.85	1145	62.17	1167	65.56				
3100	36510	1024	44.67	1048	47.90	1071	51.23	1095	54.68	1118	58.15	1139	61.49	1161	64.87						
3200	37687	1042	46.99	1065	50.27	1088	53.63	1111	57.10	1134	60.68	1156	64.24								
3300	38865	1061	49.44	1083	52.76	1105	56.16	1127	59.66	1149	63.26	1171	66.97								
3400	40043	1079	52.01	1101	55.38	1123	58.83	1144	62.36	1166	65.99										
3500	41221	1098	54.68	1120	58.13	1141	61.62	1162	65.20												
3600	42398	1117	57.34	1138	61.00	1159	64.55														
3700	43576	1135	60.17	1157	63.92																
3800	44754	1155	63.13	1176	66.89																
3900	45931	1174	66.26																		

Performance shown is for installation type B&D - Free or ducted inlet, Ducted outlet.
 Power rating (BHP) does not include drive losses.
 Performance ratings do not include the effects of appurtenances in the airstream.

Model No. BIC 49

Wheel Diameter 49 In.

Outlet Area 14.2274 Sq. Ft.

OV	CFM	0		.5		1		1.5		2		2.5		3		3.5		4		4.5	
		RPM	BHP	RPM	BHP	RPM	BHP	RPM	BHP	RPM	BHP	RPM	BHP	RPM	BHP	RPM	BHP	RPM	BHP	RPM	BHP
1000	14227	223	0.83	294	1.75	356	3.08	415	4.57												
1100	15650	245	1.53	310	2.05	369	3.46	423	5.02	477	6.77										
1200	17073	268	1.87	327	2.38	384	3.90	434	5.53	482	7.30										
1300	18496	290	2.24	344	2.76	398	4.35	446	6.08	491	7.93	536	9.90	583	12.12						
1400	19918	312	2.61	363	3.21	413	4.86	460	6.70	502	8.61	544	10.65	586	12.82	630	15.24				
1500	21341	335	2.94	382	3.71	429	5.44	474	7.36	515	9.35	554	11.48	593	13.68	633	16.05	673	18.65		
1600	22764	357	3.43	401	4.27	446	6.07	488	8.05	528	10.17	566	12.35	603	14.65	639	17.03	676	19.57	714	22.34
1700	24187	379	3.91	421	4.90	463	6.75	503	8.81	543	11.06	578	13.30	613	15.67	648	18.13	682	20.68	717	23.39
1800	25609	401	4.56	441	5.60	480	7.51	519	9.66	557	11.94	592	14.34	625	16.76	659	19.31	691	21.92	724	24.63
1900	27032	424	5.30	462	6.36	498	8.34	536	10.58	572	12.91	607	15.45	639	17.94	670	20.54	701	23.27	732	26.02
2000	28455	446	6.04	482	7.20	517	9.26	553	11.55	587	13.97	621	16.54	653	19.21	683	21.87	713	24.64	742	27.53
2100	29878	468	6.84	503	8.13	536	10.27	570	12.59	603	15.13	635	17.74	667	20.54	697	23.30	725	26.13	753	29.06
2200	31300	491	7.79	524	9.13	555	11.36	587	13.73	620	16.37	651	19.04	681	21.87	711	24.83	738	27.72	765	30.70
2300	32723	513	8.82	545	10.22	575	12.53	605	14.98	637	17.66	667	20.43	696	23.31	725	26.36	753	29.41	779	32.46
2400	34146	535	10.04	566	11.40	595	13.80	624	16.32	654	19.03	683	21.93	711	24.86	739	27.95	767	31.21	792	34.33
2500	35569	558	11.23	587	12.67	615	15.17	643	17.76	671	20.52	700	23.53	727	26.52	754	29.65	781	32.94	807	36.30
2600	36991	580	12.51	608	14.04	635	16.64	662	19.30	689	22.12	716	25.15	744	28.30	769	31.48	795	34.80	821	38.28
2700	38414	602	13.87	629	15.51	655	18.21	681	20.96	707	23.83	734	26.89	760	30.18	785	33.42	810	36.78	835	40.29
2800	39837	625	15.31	651	17.09	676	19.88	701	22.72	726	25.66	751	28.77	777	32.11	802	35.48	826	38.90	850	42.45
2900	41259	647	17.01	672	18.78	697	21.67	721	24.59	745	27.61	769	30.77	794	34.13	819	37.66	842	41.14	865	44.73
3000	42682	669	18.65	694	20.58	717	23.57	741	26.58	764	29.67	787	32.89	811	36.28	835	39.91	858	43.51	881	47.16
3100	44105	691	20.57	715	22.50	738	25.58	761	28.69	783	31.86	806	35.15	828	38.58	852	42.22	875	46.01	897	49.72
3200	45528	714	22.41	737	24.54	759	27.72	781	30.92	803	34.18	825	37.53	847	41.02	869	44.68	892	48.58	913	52.41
3300	46950	736	24.58	758	26.70	780	29.99	801	33.28	822	36.62	844	40.05	865	43.60	886	47.30	908	51.20	930	55.25
3400	48373	758	26.63	780	29.00	801	32.38	822	35.77	842	39.20	863	42.71	883	46.32	904	50.07	925	53.99	947	58.13
3500	49796	781	29.05	802	31.42	822	34.91	842	38.39	862	41.91	882	45.50	902	49.18	922	52.98	943	56.94	963	61.09
3600	51219	803	31.35	824	33.99	844	37.57	863	41.15	883	44.77	902	48.43	921	52.19	941	56.05	960	60.05	980	64.23
3700	52641	825	34.04	845	36.69	865	40.37	884	44.05	903	47.76	922	51.51	940	55.34	959	59.27	978	63.32	998	67.53
3800	54064	848	36.87	867	39.54	886	43.32	905	47.10	923	50.90	942	54.74	960	58.65	978	62.65	997	66.75	1015	71.00
3900	55487	870	39.57	889	42.53	907	46.42	926	50.30	944	54.19	962	58.12	979	62.11	997	66.18	1015	70.35	1033	74.65
4000	56910	892	42.70	911	45.68	929	49.67	947	53.65	964	57.64	982	61.66	999	65.73	1016	69.87	1034	74.11	1051	78.45

OV	CFM	5		5.5		6		6.5		7		7.5		8		8.5		9		10	
		RPM	BHP	RPM	BHP	RPM	BHP	RPM	BHP	RPM	BHP	RPM	BHP	RPM	BHP	RPM	BHP	RPM	BHP	RPM	BHP
1500	21341																				
1600	22764																				
1700	24187	753	26.30																		
1800	25609	756	27.50	790	30.55																
1900	27032	763	28.89	794	31.90	826	35.08	858	38.46												
2000	28455	771	30.43	801	33.45	830	36.60	860	39.90	891	43.40										
2100	29878	782	32.10	809	35.15	837	38.31	865	41.59	894	45.02	923	48.61	952	52.40						
2200	31300	793	33.80	819	36.99	846	40.18	873	43.48	899	46.88	926	50.43	954	54.13	982	58.00				
2300	32723	805	35.60	830	38.86	856	42.19	881	45.52	907	48.95	932	52.49	958	56.14	984	59.94	1011	63.89		
2400	34146	817	37.53	842	40.83	867	44.23	892	47.71	916	51.18	940	54.73	965	58.39	989	62.16	1014	66.06	1065	74.31
2500	35569	831	39.58	855	42.93	879	46.37	903	49.91	926	53.55	950	57.15	973	60.83	997	64.61	1020	68.49	1068	76.62
2600	36991	845	41.73	869	45.15	892	48.65	915	52.23	937	55.92	960	59.70	983	63.44	1005	67.25	1028	71.14	1073	79.24
2700	38414	860	43.97	883	47.50	905	51.06	927	54.70	949	48.42	971	62.24	993	66.17	1015	70.05	1037	73.98	1080	82.10
2800	39837	874	46.14	897	49.96	919	53.60	941	57.30	962	61.08	983	64.94	1004	68.89	1026	72.95	1047	76.99	1088	85.17
2900	41259	888	48.46	911	52.33	934	56.25	955	60.03	975	63.87	996	67.79	1016	71.78	1037	75.86	1058	80.04	1098	88.43
3000	42682	903	50.93	925	54.83	948	58.88	969	62.89	989	66.81	1009	70.78	1029	74.83	1049	78.95	1069	83.16		
3100	44105	918	53.54	940	57.48	962	61.55	983	65.77	1004	69.87	1023	73.92	1043	78.03	1062	82.21	1081	86.46		
3200	45528	934	56.29	955	60.27	976	64.38	997	68.62	1018	72.99	1038	77.19	1057	81.38	1075	85.62	1094	89.93		
3300	46950	951	59.18	971	63.22	991	67.37	1012	71.63	1032	76.03	1052	80.56	1071	84.86	1089	89.18				
3400	48373	967	62.22	987	66.31	1007	70.51	1026	74.82	1046	79.24	1066	83.79	1086	88.47						
3500	49796	984	65.40	1003	69.56	1023	73.81	1042	78.16	1061	82.62	1080	87.19	1099	91.89						
3600	51219	1001	68.61	1020	72.96	1039	77.27	1058	81.67	1076	86.17	1095	90.79								
3700	52641	1017	71.91	1037	76.50	1055	80.88	1074	85.34	1092	89.90										
3800	54064	1034	75.41	1053	80.01	1072	84.65	1090	89.18												
3900	55487	1052	79.09	1070	83.70	1089	88.51														
4000	56910	1069	82.93	1087	87.57																

Performance shown is for installation type B&D - Free or ducted inlet, Ducted outlet.
 Power rating (BHP) does not include drive losses.
 Performance ratings do not include the effects of appurtenances in the airstream.

Model No. BIC 54

Wheel Diameter 54.25 In.

Outlet Area 17.5629 Sq. Ft.

OV	CFM	0		.5		1		1.5		2		2.5		3		3.5		4		4.5	
		RPM	BHP	RPM	BHP	RPM	BHP	RPM	BHP	RPM	BHP	RPM	BHP	RPM	BHP	RPM	BHP	RPM	BHP	RPM	BHP
1000	17563	206	1.06	269	2.18	325	3.81	378	5.64												
1100	19319	227	1.96	284	2.56	338	4.30	386	6.21	434	8.32										
1200	21075	247	2.35	300	2.98	351	4.84	396	6.84	439	9.01	484	11.41								
1300	22832	268	2.80	316	3.47	364	5.41	407	7.54	448	9.81	488	12.21	530	14.88						
1400	24588	288	3.26	334	4.03	378	6.06	420	8.32	459	10.66	496	13.15	534	15.80	572	18.71				
1500	26344	309	3.68	351	4.67	394	6.79	433	9.14	470	11.60	506	14.19	541	16.89	576	19.77	612	22.89		
1600	28101	330	4.30	369	5.39	409	7.59	447	10.01	483	12.63	517	15.29	550	18.12	582	21.02	615	24.10	649	27.43
1700	29857	350	4.99	388	6.19	425	8.45	461	10.99	496	13.72	529	16.50	560	19.39	591	22.41	622	25.52	653	28.81
1800	31613	371	5.83	406	7.07	441	9.42	476	12.06	510	14.84	542	17.81	572	20.77	601	23.88	630	27.10	659	30.40
1900	33370	391	6.69	425	8.05	458	10.48	492	13.23	523	16.08	555	19.17	584	22.27	612	25.44	640	28.77	668	32.16
2000	35126	412	7.63	444	9.12	475	11.65	507	14.44	538	17.43	568	20.56	597	23.87	624	27.13	651	30.51	677	34.05
2100	36882	433	8.74	463	10.29	493	12.93	523	15.77	553	18.89	582	22.08	610	25.50	637	28.94	663	32.39	688	35.97
2200	38638	453	9.96	483	11.57	511	14.31	539	17.23	569	20.46	596	23.73	623	27.19	651	30.86	675	34.41	699	38.05
2300	40395	474	11.29	502	12.96	529	15.81	556	18.81	584	22.07	611	25.51	637	29.02	663	32.74	688	36.55	712	40.28
2400	42151	494	12.70	522	14.46	548	17.43	573	20.51	600	23.82	627	27.41	652	30.99	677	34.75	702	38.73	725	42.64
2500	43907	515	14.21	541	16.08	566	19.17	591	22.35	616	25.72	642	29.39	667	33.10	691	36.92	714	40.92	738	45.13
2600	45664	536	15.98	561	17.83	585	21.03	609	24.31	633	27.76	657	31.45	682	35.35	705	39.24	728	43.29	751	47.53
2700	47420	556	17.72	580	19.71	604	23.03	627	26.41	650	29.94	673	33.68	697	37.72	720	41.70	742	45.82	764	50.10
2800	49176	577	19.56	600	21.72	623	25.16	645	28.65	667	32.27	690	36.06	713	40.12	735	44.32	757	48.50	778	52.84
2900	50932	597	21.52	620	23.87	642	27.43	663	31.04	685	34.74	706	38.61	728	42.70	751	47.09	772	51.35	792	55.74
3000	52689	618	23.82	640	26.17	661	29.85	682	33.57	703	37.37	723	41.32	744	45.46	766	49.86	787	54.35	807	58.82
3100	54445	639	26.03	660	28.61	680	32.42	701	36.25	721	40.16	741	44.18	761	48.39	782	52.82	803	57.52	822	62.07
3200	56201	659	28.63	680	31.21	700	35.14	719	39.09	739	43.10	758	47.22	778	51.49	798	55.96	818	60.69	838	65.49
3300	57958	680	31.11	700	33.98	719	38.03	738	42.09	757	46.21	776	50.42	795	54.77	814	59.29	833	64.05	853	69.06
3400	59714	700	34.03	720	36.90	739	41.08	757	45.26	775	49.49	794	53.80	812	58.23	831	62.82	849	67.60	868	72.63
3500	61470	721	37.12	740	40.00	758	44.30	776	48.60	794	52.94	812	57.35	830	61.87	847	66.52	865	71.36	884	76.42
3600	63226	742	40.06	760	43.27	778	47.69	795	52.11	813	56.57	830	61.08	847	65.69	865	70.43	882	75.33	900	80.40
3700	64983	762	43.49	780	46.72	798	51.27	815	55.81	832	60.38	848	65.00	865	69.71	882	74.53	899	79.49	916	84.62
3800	66739	783	46.77	800	50.35	817	55.03	834	59.69	850	64.38	867	69.11	883	73.91	899	78.82	916	83.86	932	89.04
3900	68495	803	50.56	820	54.17	837	58.97	853	63.76	869	68.56	885	73.41	901	78.31	917	83.31	933	88.43	949	93.68
4000	70252	824	54.56	841	58.19	857	63.12	873	68.03	888	72.95	904	77.91	920	82.92	935	88.02	951	93.21	966	98.54

OV	CFM	5		5.5		6		6.5		7		7.5		8		8.5		9		10	
		RPM	BHP	RPM	BHP	RPM	BHP	RPM	BHP	RPM	BHP	RPM	BHP	RPM	BHP	RPM	BHP	RPM	BHP	RPM	BHP
1500	26344																				
1600	28101																				
1700	29857	684	32.31																		
1800	31613	688	33.87	718	37.55	749	41.48														
1900	33370	695	35.66	723	39.30	751	43.14	780	47.22												
2000	35126	703	37.62	729	41.28	756	45.10	782	49.10	809	53.30	837	57.74								
2100	36882	713	39.71	738	43.45	763	47.29	788	51.28	813	55.42	839	59.75	865	64.31						
2200	38638	724	41.83	748	45.76	771	49.67	795	53.68	819	57.82	843	62.11	867	66.57	892	71.22	917	76.10		
2300	40395	735	44.12	758	48.08	781	52.19	804	56.28	826	60.45	849	64.75	872	69.17	895	73.77	919	78.54	967	88.68
2400	42151	747	46.56	769	50.58	791	54.73	814	59.01	835	63.27	857	67.61	879	72.06	901	76.64	923	81.35	968	91.28
2500	43907	760	49.14	782	53.24	803	57.44	824	61.76	845	66.22	866	70.67	887	75.16	908	79.75	929	84.47	971	94.30
2600	45664	774	51.86	794	56.06	815	60.33	835	64.71	856	69.20	876	73.82	896	78.46	916	83.11	936	87.85	977	97.68
2700	47420	786	54.57	808	59.01	828	63.38	847	67.83	867	72.38	887	77.03	906	81.81	926	86.65	945	91.45	984	101.3
2800	49176	799	57.33	821	62.03	841	66.58	860	71.12	879	75.74	898	80.45	917	85.27	936	90.20	955	95.25	992	105.2
2900	50932	813	60.29	834	65.01	854	69.90	873	74.57	892	79.28	910	84.06	929	88.94	947	93.91	965	99.00	1002	109.3
3000	52689	827	63.42	847	68.18	867	73.11	887	78.17	905	82.98	923	87.85	941	92.80	958	97.84	976	102.9		
3100	54445	842	66.73	861	71.55	880	76.51	899	81.63	918	86.84	936	91.81	953	96.85	971	101.9	988	107.1		
3200	56201	856	70.23	875	75.10	894	80.11	912	85.26	931	90.59	949	95.93	966	101.0	983	106.2	1000	111.5		
3300	57958	872	73.90	890	78.84	908	83.90	926	89.10	944	94.46	962	99.97	980	105.4	996	110.7				
3400	59714	887	77.75	905	82.77	922	87.89	940	93.15	958	98.55	975	104.0	993	109.7	1010	115.4				
3500	61470	903	81.72	920	86.88	937	92.09	954	97.41	972	102.8	989	108.4	1006	114.1						
3600	63226	918	85.72	936	91.19	953	96.47	969	101.8	986	107.3	1002	112.9								
3700	64983	933	89.96	951	95.55	968	101.0	984	106.5	1000	112.0										
3800	66739	949	94.41	966	100.0	984	105.8	1000	111.3												
3900	68495	965	99.10	982	104.7	999	110.5														
4000	70252	982	104.0	998	109.6																

Performance shown is for installation type B&D - Free or ducted inlet, Ducted outlet.
 Power rating (BHP) does not include drive losses.
 Performance ratings do not include the effects of appurtenances in the airstream.

Model No. BIC 60

Wheel Diameter 60 In.

Outlet Area 21.4056 Sq. Ft.

OV	CFM	0		.5		1		1.5		2		2.5		3		3.5		4		4.5	
		RPM	BHP	RPM	BHP	RPM	BHP	RPM	BHP	RPM	BHP	RPM	BHP	RPM	BHP	RPM	BHP	RPM	BHP	RPM	BHP
1000	21406	186	1.28	243	2.65	294	4.65	341	6.87												
1100	23546	204	2.37	257	3.11	305	5.24	348	7.56	392	10.15										
1200	25687	223	2.84	271	3.62	317	5.89	357	8.33	397	10.98	437	13.92								
1300	27827	241	3.38	285	4.21	329	6.58	368	9.18	405	11.95	441	14.88	479	18.15						
1400	29968	260	3.94	301	4.90	341	7.37	380	10.13	414	12.98	448	16.03	482	19.26	517	22.83				
1500	32108	278	4.54	317	5.67	355	8.26	391	11.12	425	14.12	457	17.29	488	20.59	520	24.10	553	27.93	587	32.18
1600	34249	297	5.20	333	6.54	369	9.22	403	12.18	436	15.38	466	18.62	497	22.07	526	25.62	556	29.39	587	33.46
1700	36390	315	6.04	350	7.50	383	10.27	416	13.36	448	16.71	477	20.09	506	23.62	534	27.31	562	31.11	590	35.12
1800	38530	334	7.05	366	8.58	398	11.44	430	14.66	460	18.06	489	21.67	516	25.29	543	29.09	569	33.02	596	37.05
1900	40671	353	8.10	383	9.76	413	12.73	444	16.08	472	19.56	501	23.34	527	27.11	553	30.98	578	35.06	603	39.19
2000	42811	371	9.34	400	11.06	429	14.14	457	17.55	486	21.19	513	25.02	539	29.05	564	33.03	588	37.16	612	41.49
2100	44952	390	10.58	418	12.47	444	15.69	472	19.16	499	22.97	525	26.87	551	31.04	575	35.22	598	39.44	621	43.82
2200	47092	408	12.05	435	14.02	461	17.37	486	20.93	513	24.88	538	28.86	563	33.09	587	37.56	610	41.88	632	46.34
2300	49233	427	13.64	452	15.70	477	19.18	502	22.84	527	26.83	552	31.01	575	35.31	599	39.85	621	44.48	643	49.04
2400	51373	445	15.36	470	17.52	494	21.14	517	24.90	541	28.95	565	33.32	588	37.69	611	42.29	633	47.15	654	51.90
2500	53514	464	17.19	488	19.49	510	23.25	533	27.13	556	31.24	579	35.73	601	40.25	623	44.92	645	49.81	666	54.92
2600	55655	483	19.34	505	21.60	527	25.50	549	29.51	571	33.71	593	38.23	615	42.97	636	47.72	657	52.67	678	57.86
2700	57795	501	21.44	523	23.87	544	27.92	565	32.05	586	36.35	607	40.92	629	45.86	650	50.71	670	55.73	690	60.96
2800	59936	520	23.67	541	26.31	561	30.50	582	34.76	602	39.17	622	43.81	643	48.77	663	53.88	683	58.99	702	64.28
2900	62076	538	26.04	559	28.92	579	33.26	598	37.65	617	42.17	637	46.90	657	51.90	677	57.23	696	62.43	715	67.80
3000	64217	557	28.83	577	31.70	596	36.19	615	40.72	633	45.36	652	50.17	672	55.23	691	60.62	710	66.08	728	71.53
3100	66357	575	31.50	595	34.66	613	39.30	632	43.97	650	48.73	668	53.64	686	58.77	705	64.19	724	69.92	742	75.47
3200	68498	594	34.65	613	37.80	631	42.60	648	47.41	666	52.30	684	57.32	701	62.54	719	68.00	738	73.78	756	79.61
3300	70638	612	37.65	631	41.15	648	46.09	665	51.04	683	56.06	700	61.20	717	66.51	734	72.03	752	77.84	770	83.96
3400	72779	631	41.17	649	44.69	666	49.78	682	54.88	699	60.03	716	65.29	732	70.69	749	76.30	766	82.14	783	88.29
3500	74920	650	44.91	667	48.44	683	53.68	700	58.92	716	64.21	732	69.59	748	75.11	764	80.79	781	86.70	797	92.87
3600	77060	668	48.47	685	52.39	701	57.79	717	63.18	733	68.60	748	74.11	764	79.74	780	85.52	796	91.49	812	97.70
3700	79201	687	52.63	703	56.57	719	62.11	734	67.65	750	73.22	765	78.86	780	84.60	795	90.47	811	96.54	826	102.8
3800	81341	705	56.60	721	60.96	736	66.66	752	72.35	767	78.06	781	83.83	796	89.69	811	95.68	826	101.8	841	108.1
3900	83482	724	61.18	739	65.59	754	71.45	769	77.28	784	83.13	798	89.04	813	95.02	827	101.1	841	107.3	856	113.7
4000	85622	742	66.01	757	70.45	772	76.46	787	82.44	801	88.44	815	94.48	829	100.6	843	106.8	857	113.1		

OV	CFM	5		5.5		6		6.5		7		7.5		8		8.5		9		10	
		RPM	BHP	RPM	BHP	RPM	BHP	RPM	BHP	RPM	BHP	RPM	BHP	RPM	BHP	RPM	BHP	RPM	BHP	RPM	BHP
1500	32108																				
1600	34249																				
1700	36390	619	39.42																		
1800	38530	622	41.30	649	45.81	677	50.61														
1900	40671	628	43.46	653	47.92	679	52.62	705	57.61												
2000	42811	635	45.83	659	50.32	683	54.98	707	59.88	732	65.02										
2100	44952	644	48.38	667	52.94	689	57.64	712	62.51	735	67.57	758	72.89	782	78.47						
2200	47092	653	50.95	675	55.75	697	60.52	718	65.42	740	70.48	762	75.74	784	81.19	806	86.89	829	92.87		
2300	49233	664	53.73	685	58.57	706	63.59	726	68.57	747	73.67	767	78.92	788	84.34	809	89.96	830	95.80		
2400	51373	675	56.68	695	61.60	715	66.66	735	71.90	755	77.09	774	82.39	794	87.83	814	93.42	834	99.19		
2500	53514	686	59.82	706	64.83	725	69.95	744	75.24	763	80.68	782	86.09	801	91.58	820	97.20	839	102.9		
2600	55655	698	63.12	717	68.24	736	73.46	754	78.80	773	84.29	791	89.94	810	95.59	828	101.2	846	107.0		
2700	57795	710	66.43	729	71.83	747	77.16	765	82.59	783	88.14	801	93.83	819	99.68	836	105.5	854	111.4		
2800	59936	722	69.78	741	75.51	759	81.04	777	86.58	794	92.22	811	97.98	828	103.8	845	109.8	863	116.0		
2900	62076	734	73.36	752	79.12	771	85.10	788	90.76	805	96.51	822	102.3	838	108.3	855	114.3				
3000	64217	746	77.15	764	82.97	783	88.98	800	95.13	817	101.0	833	106.9	849	112.9	865	119.1				
3100	66357	759	81.17	777	87.05	794	93.10	812	99.37	829	105.6	845	111.7	861	117.9						
3200	68498	773	85.40	790	91.35	807	97.46	824	103.7	841	110.2	857	116.7								
3300	70638	786	89.85	803	95.88	819	102.0	836	108.4	852	114.9										
3400	72779	800	94.52	816	100.6	832	106.9	848	113.3	864	119.9										
3500	74920	814	99.36	830	105.6	846	111.9	861	118.4												
3600	77060	828	104.2	844	110.8	859	117.3														
3700	79201	842	109.3	858	116.1																
3800	81341	856	114.7																		

Performance shown is for installation type B&D - Free or ducted inlet, Ducted outlet.
 Power rating (BHP) does not include drive losses.
 Performance ratings do not include the effects of appurtenances in the airstream.

Model No. BIC 66

Wheel Diameter 66 In.

Outlet Area 25.9514 Sq. Ft.

OV	CFM	0		.5		1		1.5		2		2.5		3		3.5		4		4.5	
		RPM	BHP	RPM	BHP	RPM	BHP	RPM	BHP	RPM	BHP	RPM	BHP	RPM	BHP	RPM	BHP	RPM	BHP	RPM	BHP
1000	25951	169	1.56	221	3.22	267	5.63	310	8.33												
1100	28547	186	2.89	234	3.78	277	6.35	317	9.17	356	12.30										
1200	31142	203	3.46	246	4.39	288	7.15	325	10.11	361	13.31										
1300	33737	220	4.12	260	5.12	299	7.99	335	11.14	368	14.49	401	18.04	435	21.99						
1400	36332	237	4.80	274	5.95	311	8.95	345	12.29	377	15.74	408	19.43	438	23.35	470	27.66				
1500	38927	254	5.42	288	6.89	323	10.03	356	13.49	386	17.13	416	20.97	444	24.96	473	29.22	503	33.84		
1600	41522	270	6.33	303	7.94	336	11.20	367	14.78	397	18.66	424	22.59	452	26.76	478	31.06	506	35.62	533	40.54
1700	44117	287	7.36	318	9.12	349	12.47	379	16.22	408	20.27	434	24.37	460	28.64	486	33.11	511	37.71	536	42.57
1800	46713	304	8.59	334	10.42	362	13.89	391	17.80	418	21.92	445	26.30	469	30.68	494	35.28	518	40.03	542	44.92
1900	49308	321	9.86	349	11.86	376	15.46	404	19.52	430	23.74	456	28.31	480	32.88	503	37.58	526	42.51	548	47.52
2000	51903	338	11.24	365	13.44	390	17.19	416	21.31	442	25.73	466	30.36	491	35.25	513	40.07	535	45.07	556	50.30
2100	54498	355	12.88	380	15.17	405	19.06	429	23.27	454	27.88	478	32.60	501	37.66	523	42.73	544	47.84	565	53.14
2200	57093	372	14.66	396	17.05	419	21.11	443	25.42	467	30.20	490	35.03	512	40.15	534	45.57	555	50.81	575	56.21
2300	59688	389	16.62	412	19.09	434	23.31	457	27.74	480	32.57	502	37.65	523	42.85	545	48.35	565	53.97	585	59.49
2400	62283	406	18.70	428	21.31	449	25.69	471	30.26	492	35.15	515	40.45	535	45.75	556	51.32	576	57.19	595	62.97
2500	64879	423	20.93	444	23.70	465	28.26	485	32.96	506	37.94	527	43.38	547	48.86	567	54.51	587	60.43	606	66.64
2600	67474	440	23.54	460	26.27	480	31.00	500	35.86	520	40.95	540	46.42	560	52.17	579	57.92	598	63.91	617	70.19
2700	70069	456	26.10	476	29.04	496	33.95	515	38.95	534	44.16	553	49.70	573	55.68	591	61.55	609	67.64	628	73.97
2800	72664	473	28.81	493	32.00	511	37.09	529	42.25	548	47.59	566	53.21	585	59.21	604	65.41	621	71.60	639	78.01
2900	75259	490	31.69	509	35.17	527	40.44	545	45.76	562	51.62	580	56.96	598	63.02	617	69.49	634	75.79	651	82.29
3000	77854	507	35.09	525	38.56	543	44.00	560	49.49	577	55.11	594	60.95	611	67.08	629	73.59	646	80.22	663	86.83
3100	80449	524	38.34	542	42.16	558	47.78	575	53.44	592	59.22	608	65.17	625	71.39	642	77.95	659	84.89	675	91.61
3200	83044	541	42.17	558	45.99	574	51.80	590	57.63	606	63.55	622	69.65	638	75.96	655	82.57	672	89.57	688	96.65
3300	85640	558	45.82	574	50.06	590	56.05	606	62.05	621	68.14	637	74.36	652	80.80	668	87.48	684	94.51	701	101.9
3400	88235	575	50.11	591	54.37	606	60.54	621	66.72	637	72.97	652	79.34	667	85.89	682	92.68	697	99.75	713	107.1
3500	90830	592	54.67	607	58.93	622	65.28	637	71.64	652	78.05	666	84.57	681	91.25	696	98.13	711	105.2	726	112.7
3600	93425	609	59.00	624	63.74	638	70.28	653	76.82	667	83.40	681	90.07	696	96.89	710	103.8	724	111.1	739	118.6
3700	96020	625	64.05	640	68.82	655	75.55	669	82.26	683	89.01	696	95.84	710	102.8	724	109.9	738	117.2		
3800	98615	642	68.88	657	74.17	671	81.08	684	87.98	698	94.90	711	101.8	725	109.0	738	116.2				
3900	101210	659	74.47	673	79.80	687	86.90	700	93.97	714	101.0	727	108.2	740	115.4						
4000	103806	676	80.35	690	85.72	703	93.01	716	100.2	729	107.5	742	114.8								

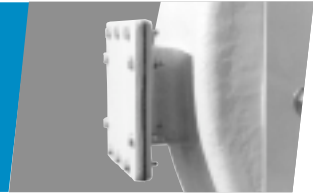
OV	CFM	5		5.5		6		6.5		7		7.5		8		8.5		9		10	
		RPM	BHP	RPM	BHP	RPM	BHP	RPM	BHP	RPM	BHP	RPM	BHP	RPM	BHP	RPM	BHP	RPM	BHP	RPM	BHP
1500	38927																				
1600	41522																				
1700	44117	562	47.77																		
1800	46713	566	50.06	590	55.51	615	61.32														
1900	49308	571	52.69	594	58.08	617	63.77	641	69.80												
2000	51903	578	55.57	599	61.00	621	66.65	643	72.57	665	78.79										
2100	54498	586	58.67	606	64.19	627	69.88	647	75.77	668	81.90	689	88.33	711	95.07						
2200	57093	594	61.79	614	67.60	634	73.38	653	79.31	673	85.44	693	91.80	713	98.40	733	105.2				
2300	59688	604	65.17	623	71.03	642	77.11	660	83.14	679	89.32	698	95.67	717	102.2	736	109.0				
2400	62283	614	68.76	632	74.71	650	80.84	668	87.18	686	93.48	704	99.90	722	106.4	740	113.2				
2500	64879	624	72.57	642	78.64	659	84.85	677	91.24	694	97.83	712	104.4	729	111.0	746	117.8				
2600	67474	635	76.58	652	82.78	669	89.11	686	95.58	703	102.2	720	109.0	737	115.9						
2700	70069	646	80.58	663	87.14	680	93.60	696	100.1	712	106.9	728	113.7	745	120.8						
2800	72664	657	84.66	674	91.61	691	98.32	706	105.0	722	111.8	738	118.8								
2900	75259	668	89.01	685	96.00	702	103.2	717	110.1	733	117.0	748	124.1								
3000	77854	679	93.63	696	100.6	712	107.9	728	115.4	743	122.5										
3100	80449	691	98.51	707	105.6	723	112.9	739	120.5												
3200	83044	703	103.6	719	110.8	734	118.2	749	125.9												
3300	85640	716	109.0	731	116.3	746	123.8														
3400	88235	728	114.7	743	122.1																
3500	90830	741	120.6																		

Performance shown is for installation type B&D - Free or ducted inlet, Ducted outlet.
 Power rating (BHP) does not include drive losses.
 Performance ratings do not include the effects of appurtenances in the airstream.

Accessories

Raised Bolted Access Door - made entirely of FRP for easy access to interior of fan housing and wheel. Neoprene gasketing and 316 SST hardware are standard.

**Raised Bolted
Access Door**



FRP Stuffing Box and **Side Plate Gaskets** for low leakage applications.

Shaft Seals - standard seal is neoprene with FRP backup plate. Neoprene membrane rides close to FRP sleeve to limit leakage through shaft opening. Other gasket material such as teflon & Vitron are available.

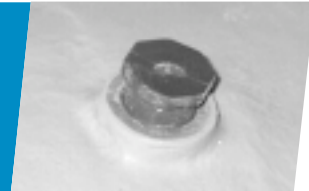
Shaft Seals



Weather Cover - available for ARR 10 fans, protects shaft, bearings, motors and drives - galvanized steel construction is standard, FRP is available.

Belt and Shaft Guards - heavy gauge galvanized steel construction for personnel protection from rotating parts.

Drain



Inlet and Outlet Transitions - can be provided to meet customer requirements for specific size ducting. Outlet transitions are rectangular to round.

Drain - threaded PVC coupling bonded into the lowest point of the fan scroll. Flanged drains are available as an option.

Graphite Impregnation - prohibits buildup of static electricity when handling potentially explosive fumes. All interior surfaces are impregnated.

Abrasia - Clad - an abrasion resistant formulation providing protection where erosion can be a problem.

FRP Dampers - parallel outlet dampers and round control damper, with hand quadrant.

Replacement Wheels are available



Radial Wheel



Backwardly
Inclined Wheel

Catalog: BIC 100 July 1997



COMPOSITE FAN TECHNOLOGY

REPRESENTATIVE

230 South Niagara Street • Lockport, NY 14094 • Phone (800) 432-5513 • (716) 434-5513
Fax (716) 439-4010 • Web www.metalcladding.com/cft.html • Email info@metalcladding.com

Division of Metal-Cladding Inc. Member of AMCA
Serving the air handling needs of industry for over 30 years.